

Quick Draw Tarpaulin Systems™

4975 8th Concession Road, R.R. #3
Maidstone (Windsor), Ontario, Canada N0R 1K0

TEL: 519 737 6160 FAX: 519 737 6205

Toll Free: 800 266 8277

www.quickdrawtarps.com

Quick Draw Tarpaulin Systems™

Part Number Guide

Introduction

Quick Draw Tarpaulin Systems™ is a premium quality brand tarpaulin system for transportation equipment. This *Part Number Guide* is provided to owners of Quick Draw Tarpaulin Systems to assist with the following:

- Understanding naming conventions used for parts
- Identifying required replacement parts
- Selecting proper item ID numbers for replacement part ordering

This guide covers straight flatbed and drop deck Quick Draw Tarpaulin Systems manufactured from about 1996 to the present. The legacy “round top” Quick Draw Tarpaulin Systems manufactured between 1992 to 1996 are not covered by this guide and very few replacement parts are available for these systems (upgrading is highly recommended for owners of legacy systems). If you require further assistance with using this guide or any other concerns about your Quick Draw Tarpaulin System product, please contact us:

Quick Draw Tarpaulin Systems contact information:

Website: **www.quickdrawtarps.com**

Telephone: **519 737 6160**

* Toll Free: **1 800 266 8277** General Inquiries

* Toll Free: **1 877 945 8277** U.S.A. Parts Sales

* North America only



WARNING THIS GUIDE DOES **NOT** PROVIDE ANY INSTRUCTIONS WHATSOEVER AS TO PROPER PROCEDURES FOR REPLACING PARTS OR PERFORMING ANY REPAIR WORK ON QUICK DRAW TARPAULIN SYSTEMS. IT IS RECOMMENDED THAT YOU HAVE ALL MAJOR REPAIR WORK PERFORMED BY A REPAIR FACILITY THAT IS AUTHORIZED BY QUICK DRAW TARPAULIN SYSTEMS. REPAIR WORK PERFORMED BY UNAUTHORIZED REPAIR FACILITIES AND/OR UNQUALIFIED PERSONEL MAY RESULT IN VOIDING OF WARRANTY, COMPROMISED PRODUCT QUALITY, COMPROMISED SYSTEM PERFORMANCE, COMPROMISED SYSTEM SAFETY AND POSSIBLE INJURY TO THOSE PERFORMING THE REPAIR WORK AND/OR THE OPERATOR OF THE SYSTEM.

Document Release Date: April 11, 2023

© Copyright Quick Draw Tarp Systems Windsor, Ltd. 2010 - 2023

Quick Draw Tarpaulin Systems and related products are protected by US Patents 5,080,422; 5,152,575; 5,924,759; 7,350,842; 7,571,949; 7,854,465; 8,047,600; 8,303,017; 9,010,838; 9,809,095; 9,809,096; 9,884,540; 10,183,559; 10,532,778; 10,946,733 and Canadian Patents 2,013,531; 2,058,001; 2,197,750; 2,862,413; 2,931,652. Other patents pending.

Table of Contents

Introduction	3
Table of Contents	4
1 Conventions	6
Figure 1.1: Parts Naming Conventions.....	7
2 Vinyl Tarp	8
Figure 2.1: Vinyl Tarp.....	8
Table 2.1a: Vinyl Tarp.....	9
Table 2.1b: Vinyl Tarp.....	10
Table 2.1c: Vinyl Tarp.....	11
Table 2.2: Standard Tarpaulin Colours.....	11
3 Track	12
Figure 3.1: Track and Parts.....	12
Table 3.1: Track and Parts.....	12
4 Wheels	14
Figure 4.1: Wheels and Parts.....	14
Table 4.1: Wheels and Parts.....	14
5 Carriers	16
Figure 5.1: Carriers.....	16
Table 5.1a: Carriers.....	16
Table 5.1b: Carrier Parts.....	17
6 Headboards	18
Figure 6.1: Headboards and Parts.....	18
Table 6.1a: Headboards and Parts.....	18
Table 6.1b: Headboard Parts.....	19
Figure 6.2: Headboard Parts.....	20
Table 6.2: Headboard Parts.....	20
Figure 6.3: Headboard Parts.....	21
Table 6.3a: Headboard Parts.....	21
Table 6.3b: Headboard Parts.....	22
7 Bow Assemblies & Parts	24
Figure 7.1: Front Bow (Extruded Pull Bar 2006+).....	24
Table 7.1: Front Bow Assemblies & Parts (Extruded Pull Bar 2006+).....	25
Figure 7.2: Front Bow (Tube Pull Bar 1997-2006).....	26
Table 7.2a: Front Bow Assemblies (Tube Pull Bar 1997-2006).....	26
Table 7.2b: Front Bow Parts (Tube Pull Bar 1997-2006).....	27
Figure 7.3: Front Bows for Drop Deck Systems.....	28
Table 7.3: Front Bows for Drop Deck Systems.....	29
Figure 7.4: Intermediate Bows.....	30
Table 7.4a: Intermediate Bows.....	30
Table 7.4b: Intermediate Bow Parts.....	31

Figure 7.5: Rear Bows.....	32
Table 7.5a: Rear Bow Assemblies.....	32
Table 7.5b: Rear Bow Parts.....	33
Table 7.5c: Rear Bow Parts – Tarp Connector.....	33
8 Lifter Bows.....	34
Figure 8.1: Lifter Bows.....	34
Table 8.1: Lifter Bows.....	35
9 Rear Braces.....	36
Figure 9.1: Double Hook Rear Braces.....	36
Table 9.1: Double Hook Rear Braces.....	37
Figure 9.2: Double Hook Rear Brace Subparts.....	38
Tables 9.2a & 9.2b: Double Hook Rear Brace Subparts.....	39
Figure 9.3: Single Hook Rear Braces (1997-2005).....	40
Table 9.3: Single Hook Rear Braces and Parts.....	40
10 Miscellaneous Items & Lubricants.....	41
Table 10.1: Miscellaneous Items & Lubricants.....	41
11 Fasteners.....	42
Figure 11.1: Fasteners.....	42
Table 11.1: Fasteners.....	43
12 Options.....	44
Figure 12.1: Headboard Access Door.....	44
Table 12.1: Headboard Access Door.....	44
Figure 12.2: Interior Ratcheting in Headboard.....	45
Table 12.2: Interior Ratcheting in Headboard.....	45
Figure 12.3: Headboard Shelves & Boxes.....	46
Table 12.3: Headboard Shelves & Boxes.....	46
Figure 12.4: Headboard Wind Deflectors.....	47
Table 12.4: Headboard Wind Deflectors.....	47
Figure 12.5: Van Doors.....	48
Table 12.5: Van Doors.....	48
13 Lighting Accessories.....	49
Figure 13.1: Lighting Accessories.....	49
Table 13.1: Lighting Accessories.....	49
14 Fixtures & Tools.....	50
Table 14.1: Fixtures & Tools.....	50
Figure 14.1: Fixtures & Tools.....	50
16 Branch Locations and Contact Information.....	51

1 Conventions

Item ID Number: A system of “Item ID” numbers is used to organize the Quick Draw parts database. These item ID numbers are always specified in a column of each table in this guide. Ordering replacement parts by item ID number will ensure that you get exactly the parts you need.

Lettering on Figures: Each figure contains capital alphabetic letters (e.g. **A, B, C...**) located closest to one of each part shown in the figure to assist with finding that particular part in the associated table listing. The first column of every table listing gives the letter in the figure. The table listing for each figure is positioned immediately following the associated figure.

System Length: “System Length” refers to the nominal length of the tarp system which is usually the same as the nominal length of the flatbed. The exact length of the tarp system and flatbed can vary from the nominal length by several inches. This difference in length can affect the size of certain replacement parts such as tarp panels and track. The exact length of each vehicle is kept on file with the serial number of the tarp system. Sometimes you are required to submit the serial number of the tarp system to order certain replacement parts such that the proper size parts are delivered.

System Height: “System Height” refers to the nominal height of the tarp system which is one of the following:

6’H

7’H

8’H

8’H less 2” (8’H-2) - used on flatbeds with maximum deck heights of more than 60”.

10’H - used for drop deck flatbeds

10’H less 2” (10’H-2) - used for drop decks with maximum deck heights of more than 40”.

For certain replacement parts, you may be required to specify the item ID number, nominal system height and/or the serial number to ensure proper replacement parts are delivered. Some systems have a custom height which is recorded with the serial number.

System Width: “System Width” refers to the nominal width of the tarp system which is different than the nominal width of the flatbed. System widths include the following:

96”W (uncommon)

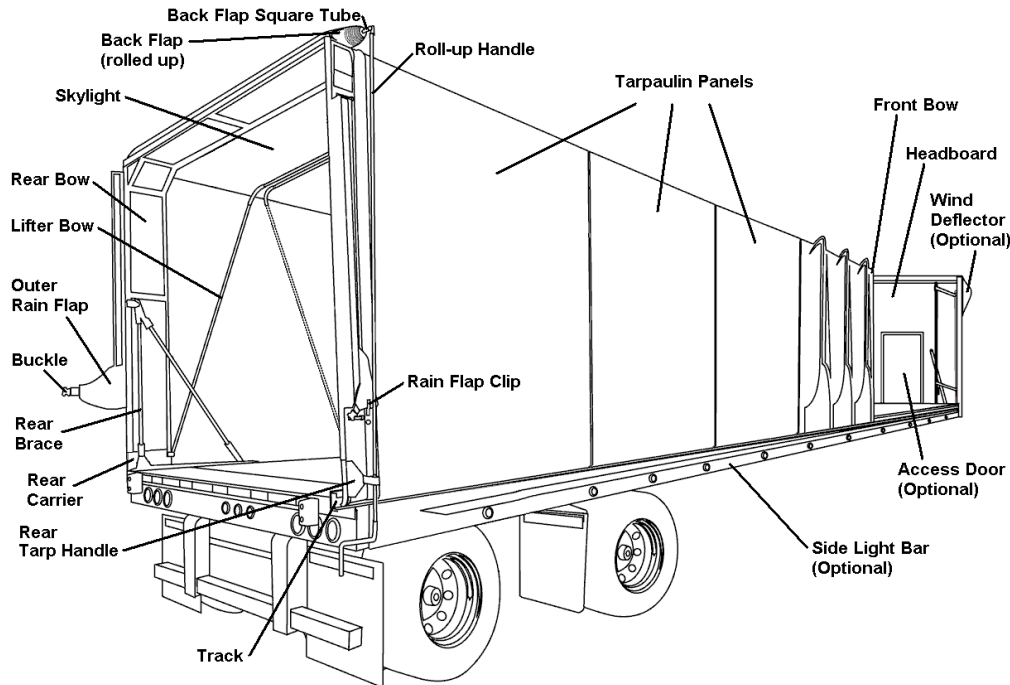
102”W

108”W (most popular).

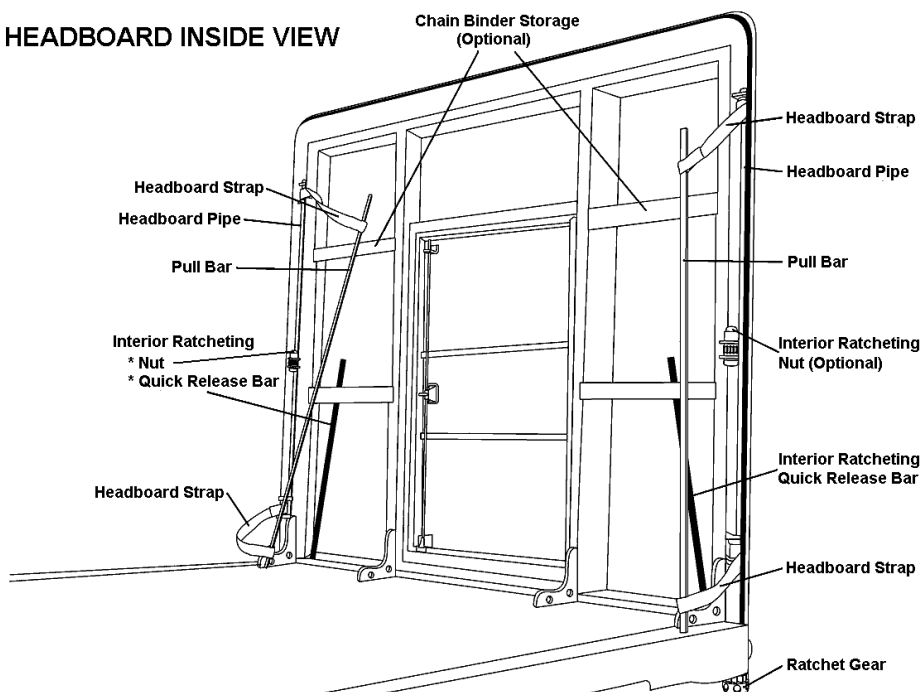
For certain replacement parts, you may be required to specify the item ID number, nominal system width and/or the serial number to ensure proper replacement parts are delivered.

Position: A "Position" column is included on many table listings. Position tells you which side of the vehicle the part is used on for parts that are made differently for the left and right sides of the tarp system. The convention is "Left" or "**Left Side**" = Driver Side of vehicle and "Right" or "**Right Side**" = Passenger Side of vehicle (in North America). If the position column is blank in a table, the part is the same for left and right sides of the tarp system.

Figure 1.1: Parts Naming Conventions



HEADBOARD INSIDE VIEW



2 Vinyl Tarp

Figure 2.1: Vinyl Tarp

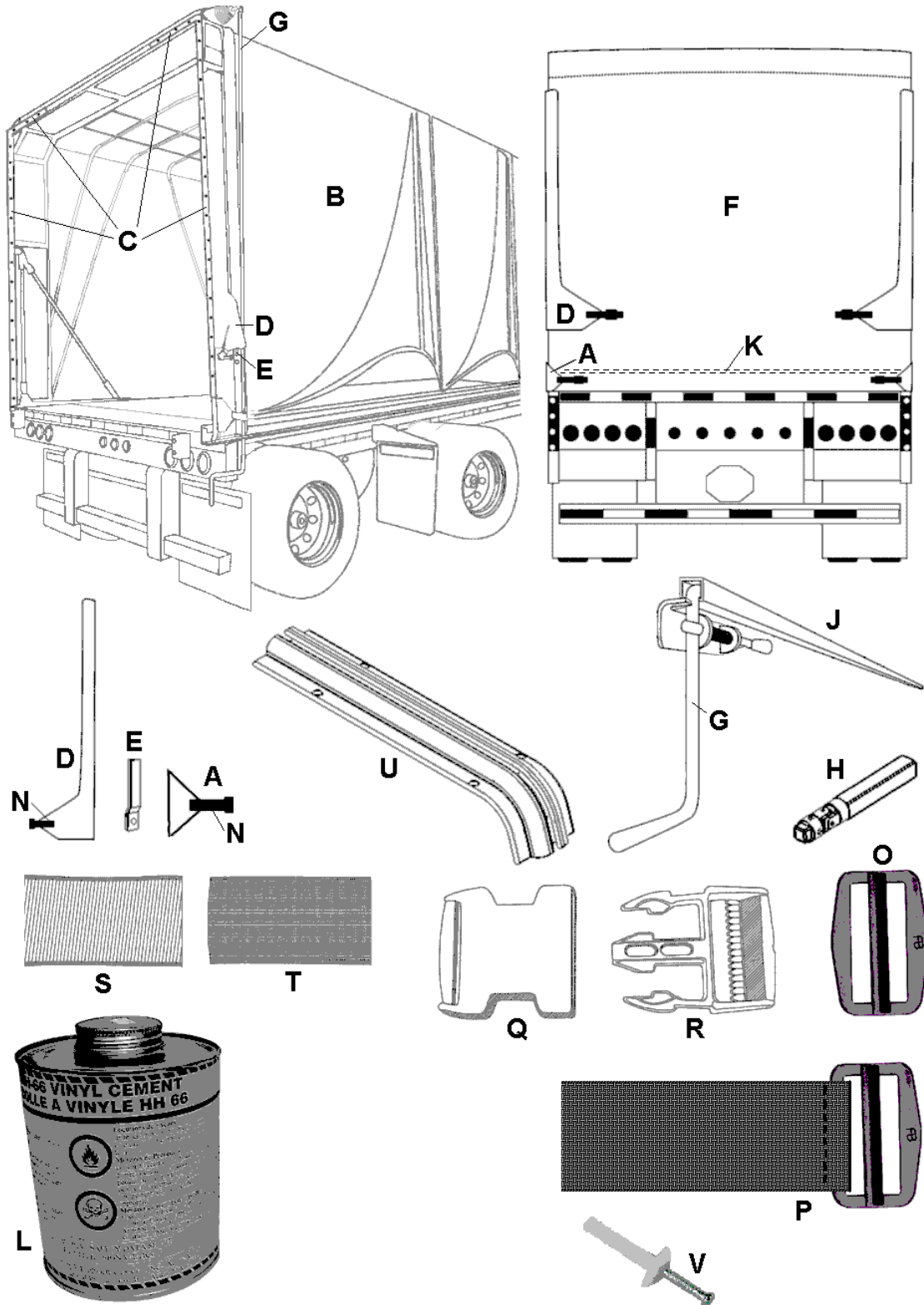


Table 2.1a: Vinyl Tarp

	Description	Item ID	System	Position	Notes
A	Front Tarp Handle	01066			
	Rear Tarp Handle (2013 +)	21421			D-Ring
	Rear Tarp Handle (2010)	20648			Aluminum buckle
	Rear Tarp Handle (1997+)	01067			Plastic buckle
B	Tarpaulin Panel *	01048	6'H x 96"W		
		01054	6'H x 102"W		
		01060	6'H x 108"W		
		01049	7'H x 96"W		
		01055	7'H x 102"W		
		01061	7'H x 108"W		
		01050	8'H x 96"W		
		01056	8'H x 102"W		
		01062	8'H x 108"W		
		01051	8'H less 2" x 96"W		
		01057	8'H less 2" x 102"W		
		01063	8'H less 2" x 108"W		
		01052	10'H x 96"W		
		01058	10'H x 102"W		
		01064	10'H x 108"W		
		01053	10'H less 2" x 96"W		
01059	10'H less 2" x 102"W				
01065	10'H less 2" x 108"W				
C	Inner Rain Flap	17446	6'H	Left Side	
		17563		Right Side	
		17560	7'H	Left Side	
		17564		Right Side	
		17443	8'H	Left Side	
		17562		Right Side	
		18518	8'H less 2"	Left Side	
		18442		Right Side	
		17561	10'H	Left Side	
		17565		Right Side	
		19000	10'H less 2"	Left Side	
		18196		Right Side	
D	Outer Rain Flap with Flat Bar and D-Ring (2013 +)	21422	6'H	Left Side	
		21423		Right Side	
		21424	7'H	Left Side	
		21425		Right Side	
		21426	8'H	Left Side	
		21427		Right Side	
		21428	8'H less 2"	Left Side	
		21429		Right Side	
		21430	10'H	Left Side	
		21431		Right Side	
		21432	10'H less 2"	Left Side	
		21433		Right Side	

Table 2.1b: Vinyl Tarp

	Description	Item ID	System	Position	Notes
D	Outer Rain Flap with Flat Bar and Plastic Buckle (1997 +)	19225	6'H	Left Side	
		19226		Right Side	
		01079	7'H	Left Side	
		01078		Right Side	
		01080	8'H	Left Side	
		19227		Right Side	
		01073	8'H less 2"	Left Side	
		18495		Right Side	
		01081	10'H	Left Side	
		19228		Right Side	
		18943	10'H less 2"	Left Side	
		18700		Right Side	
		E	Rain Flap Clip	18490	
F	Back Flap	18525	6'H x 102"W		
		01068	6'H x 108"W		
		18107	7'H x 102"W		
		01069	7'H x 108"W		
		18488	8'H x 102"W		
		01070	8'H x 108"W		
		18111	8'H less 2" x 102"W		
		01071	8'H less 2" x 108"W		
		18112	10'H x 102"W		
		01072	10'H x 108"W		
		18114	10'H less 2" x 102"W		
		19424	10'H less 2" x 108"W		
		G	Roll-up Handle for Back Flap	18931	6'H
18484	7'H				
24558	7'H (2022+)				
18485	8'H and 8'H less 2"				
24559	8'H (2022+)				
18486	10'H and 10'H less 2"				
24560	10'H (2022+)				
H	Universal Swivel with Tube	18686			
J	Aluminum Receiver Tube with Spring Latch	18487			
		24567	(2022+)		
K	Back Flap Square Tube	19022	102"W		
		19019	108"W		
	Plastic bullet for sq. tube	18489			

Table 2.1c: Vinyl Tarp

	Description	Item ID	System	Position	Notes
L	HH-66 Vinyl Cement: 1 Quart Can with Brush	12080			
N	1-1/2" Black Polypropylene Webbing	00089			
O	1-3/4" Aluminum Slide Buckle (2010 +)	20594			
P	1-3/4" Aluminum Slide Buckle with Webbing	20689			Includes 7" length of double webbing sewn to buckle
Q	1-1/2" Side Release Black Female End Plastic Buckle (1997 - 2009)	12097			
R	1-1/2" Side Release Black Male End Plastic Buckle (1997 - 2009)	12096			
S	2" Velcro Hook (75' Roll)	21260			Can be purchased cut to size
T	2" Velcro Loop (75' Roll)	21261			
U	10" Tarp Clip	18194			
V	1/4" x 1" Mushroom Head Nylon Nail-In Anchor	12061			"Thundertap"

* Proper sizing of replacement Tarpaulin Panel requires serial number to be specified when ordering.

Table 2.2: Standard Tarpaulin Colours

Number	Description	Item ID	Number	Description	Item ID
905	Black	00088	682	Forest Green	00092
907	White	00090	636	Holland Green	11980
717	Gray	11982	679	Hunter Green	18798
763	Gray	11985	619	Lime Green	20810
911	Silver	11986	119	Yellow	11979
572	Blue	11988	168	Yellow	21403
537	Blue	20649	221	Orange	11984
543	Royal Blue	11983	123	Tan	17607
566	Dearborn Blue	11977	830	Brown	11987
549	Light Blue	11976	323	Viola	11993
590	Navy	11990			
356	Red	11978			
370	Carmine Red	11991			
290	American Red	21068			
914	Brighter White *	11989			

* Used for laser graphics only

3 Track

Figure 3.1: Track and Parts

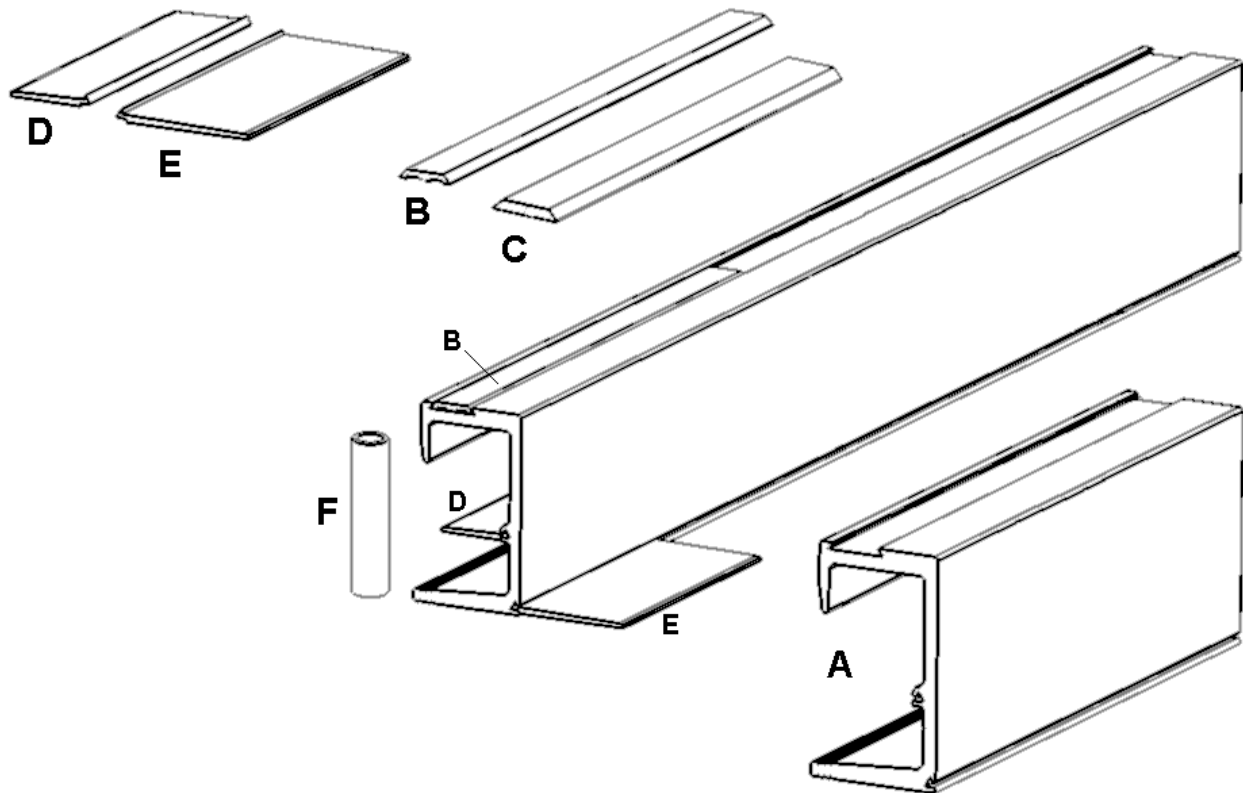


Table 3.1: Track and Parts

	Description	Item ID	System	Notes
A	4" Aluminum Track: 28'-6"	12190	< 28'L	
	4" Aluminum Track: 45'-3"	12156	45'L	
	4" Aluminum Track: 48'-6"	01082	48'L	
	4" Aluminum Track: 50'-3"	12188	50'L	
	4" Aluminum Track: 53'-3"	12168	53'L	
B	Extruded Wear Strip for Track	17999		Can be purchased cut to size
C	UHMW Track Liner (10' Strip)	05713		
D	1-1/2" Weather Seal	12311		Can be purchased cut to size
E	2-3/4" Weather Seal	01087		Can be purchased cut to size
F	Track End Pin	18461		Includes Item 10052 3/8"-16 x 5" Plated Carriage Bolt and Item 08790 3/8" Nylock Nut

<< blank page >>

4 Wheels

Figure 4.1: Wheels and Parts

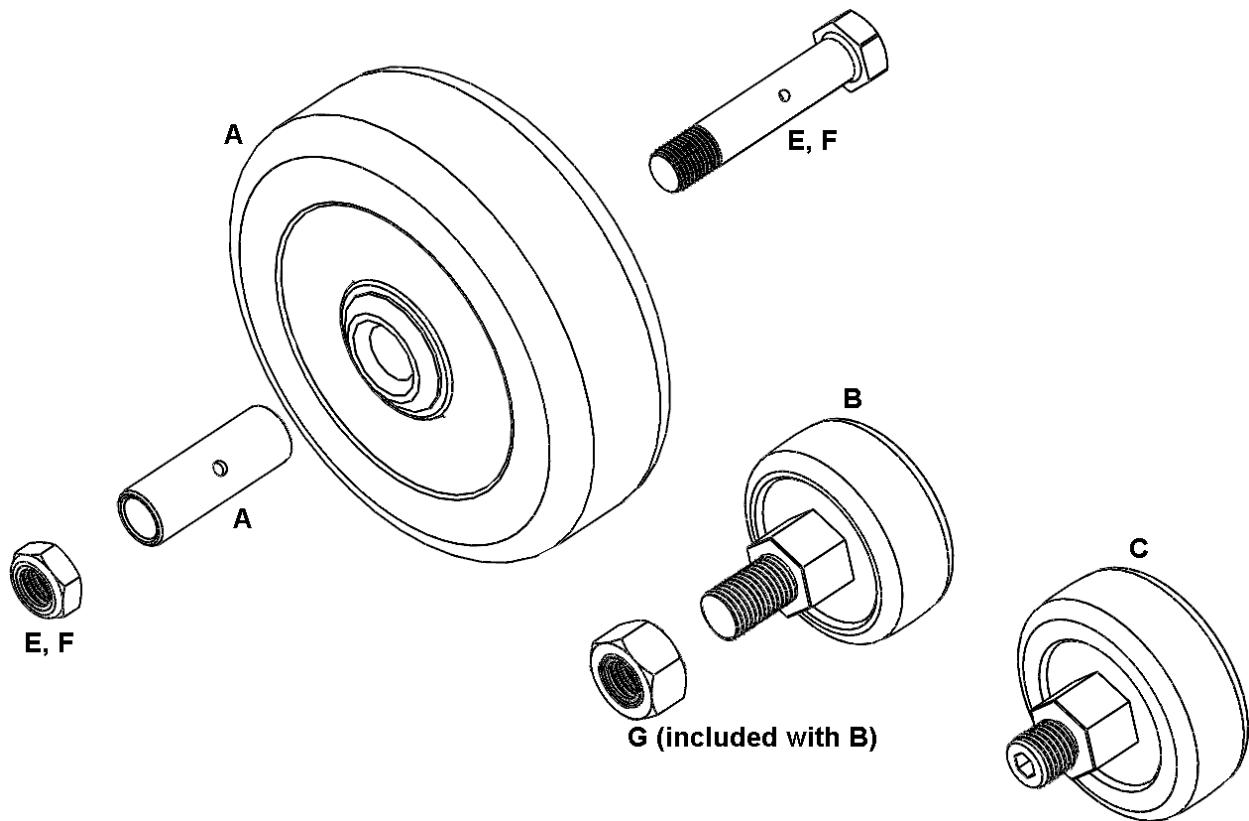


Table 4.1: Wheels and Parts

	Description	Item ID	Notes
A	4" Diameter Polyolefin Main Wheel with Delrin Bushing & Bushing Sleeve	12235	Backwards compatible with all Quick Draw Tarpaulin Systems manufactured after 1996
B	1-3/4" Diameter Nylon Guide Wheel with 11/16" Stud and Nut (2009 +)	24038	
C	2" Diameter Nylon Guide Wheel with 1/4" Stud (2009 +)	23770	
E	Hollow Axle Bolt with Nyloc Jam Nut (2.100" Length Bolt)	12260	Used for all "dimpled" carriers starting in 2005 and lifter bow hinges
F	Hollow Axle Bolt with Nyloc Jam Nut (2.188" Length Bolt)	12236	Used for all "flat plate" carriers before 2005
G	7/16"-20 Hex Nut Fine Gr. 5 Plated	08846	Included with B and D

<blank page>

5 Carriers

Figure 5.1: Carriers

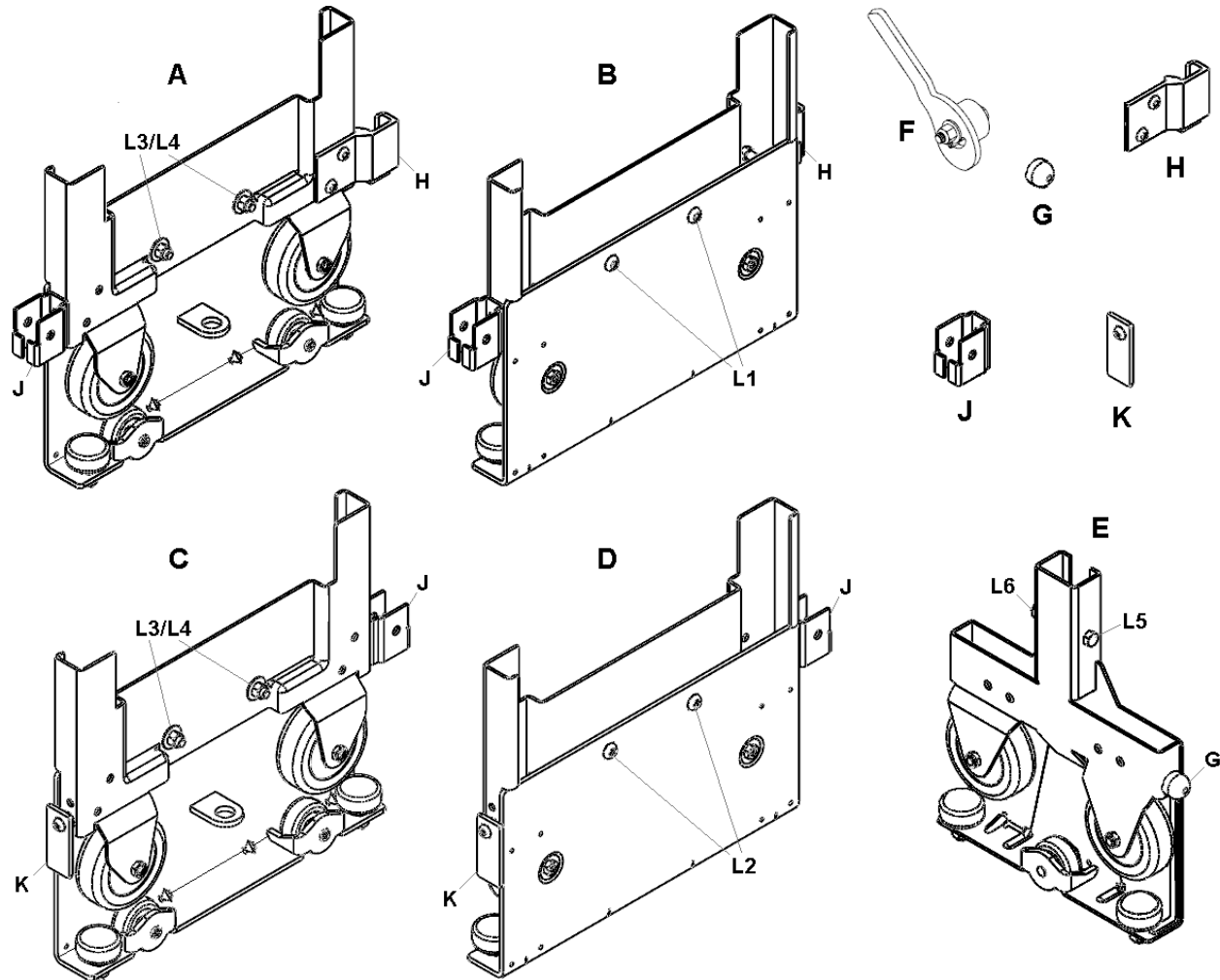


Table 5.1a: Carriers

	Description	Item ID	System	Position	Notes
A	16" Front Carrier	18245		Left	Assembled
B		20333		Right	Carrier Stop (F) not included
C	16" Rear Carrier	20332		Left	
D		20334		Right	
E	12" Intermediate Carrier	01091			Assembled
	25.5" Front Carrier	17741	10'H and 10'H less 2"	Left	Assembled
		17740		Right	
	25.5" Rear Carrier with Wedge Lock	18724		Left	Carrier Stop (F) not included
		18725		Right	

Table 5.1b: Carrier Parts

	Description	Item ID	System	Position	Notes
F	CAM Carrier Lock	23133			See note below *
G	Round Rubber Bumper	20698			Includes fastener
H	Lower Pull Bar Bracket	20622		Left	
		20623		Right	
J	16" Carrier Lifter Bow Bracket	20712			
K	Rear Carrier Flipper Tab	20711			
	Solid Steel Rivet 5/16" x1" Round Head	12288			For fastening flipper tab on some older style rear carriers.
L1	3/8"-16 x 1" S.S. Button Head Hex Socket Cap Screw	19917			
L2	3/8"-16 x 1-1/4" S.S. Button Head Hex Socket Cap Screw	19916			
L3	3/8"-16 Nylon Insert Hex Locknut Plated (Nylock)	08790			
L4	3/8" Standard Flat Washer Plated	08923			
L5	5/16"-18 x 2-3/4" Hex Socket Cap Screw Plated	08084			
L6	5/16"-18 Nylon Insert Hex Locknut Plated (Nylock)	08789			

* Carrier locks are used to lock the carrier(s) to the track in any position along the track to prevent the tarp system from rolling due to an incline or strong wind. Carrier locks are installed on the front and rear carriers of the driver side of the vehicle. These can be moved to the passenger side if desired or additional carrier locks can be purchased for installation on all four corners of the vehicle.

6 Headboards

Figure 6.1: Headboards and Parts

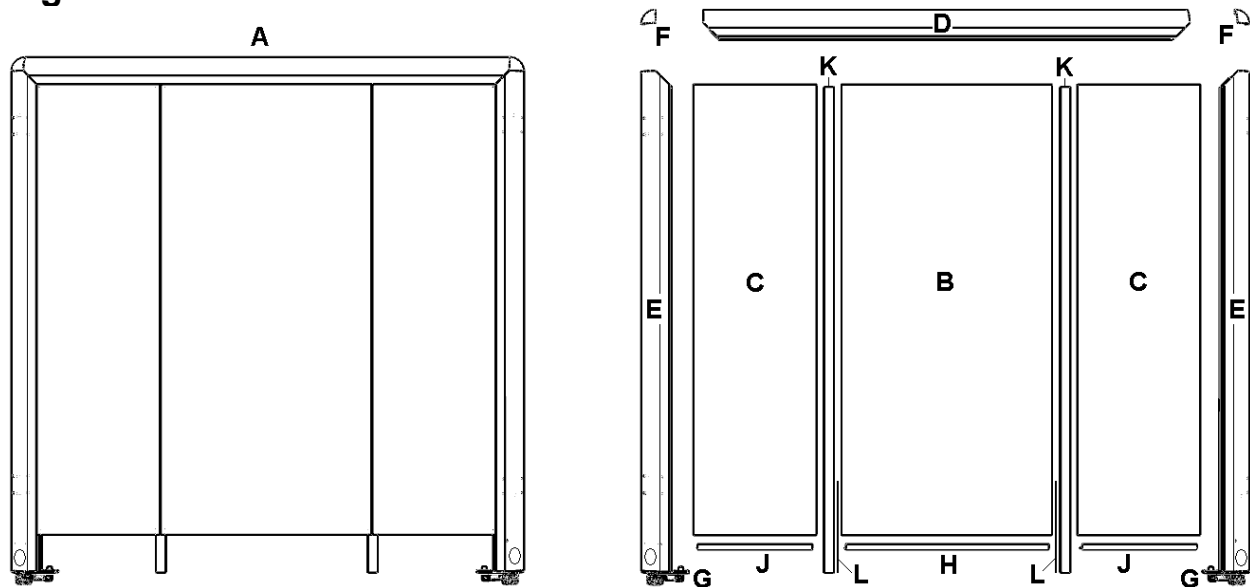


Table 6.1a: Headboards and Parts

	Description	Item ID	System	Position	Notes
A	Aluminum Headboard (for Trailers)	18215	6'H x 96"W		
		18218	6'H x 102"W		
		18222	6'H x 108"W		
		18216	7'H x 96"W		
		18219	7'H x 102"W		
		18922	7'H x 108"W		
		18217	8'H x 96"W		Also used for 10'H Systems
		18220	8'H x 102"W		
		18224	8'H x 108"W		
		18911	8'H less 2" x 102"W		Also used for 10'H less 2" Systems
	18918	8'H less 2" x 108"W			
	Aluminum Headboard (Platform / Flatbed Trucks)	18206	6'H x 96"W		
		18209	6'H x 102"W		
		18212	6'H x 108"W		
		18207	7'H x 96"W		
		18210	7'H x 102"W		
		18213	7'H x 108"W		
		18208	8'H x 96"W		
		18211	8'H x 102"W		
18214	8'H x 108"W				
B	Headboard Center Skin WITHOUT Access Door Option	19163	6'H		
		12210	7'H		
		12209	8'H / 10'H		
		17579	8'H / 10'H less 2"		
	Headboard Center Skin (Above Access Door)	18474	6'H		Only used with Access Door option (see Options section)
		12216	7'H		
		12215	8'H / 10'H		
		17578	8'H / 10'H less 2"		

Table 6.1b: Headboard Parts

	Description	Item ID	System	Position	Notes	
C	Headboard Side Skin	17798	6'H x 96"W			
		18179	6'H x 102"W			
		17800	6'H x 108"W			
		17801	7'H x 96"W			
		12213	7'H x 102"W			
		12212	7'H x 108"W			
		17802	8'H / 10'H x 96"W			
		12214	8'H / 10'H x 102"W			
		12211	8'H / 10'H x 108"W			
		17606	8'H / 10'H less 2" x 102"W			
17605	8'H / 10'H less 2" x 108"W					
D	Headboard Round Skin Top	17762	96"W			
		17763	102"W			
		19182	108"W			
E	Headboard Round Skin Side WITHOUT Ratchet for Interior Ratcheting Option	19967	6'H	Left	Includes G	
		19968		Right		
		19969	7'H	Left		
		19970		Right		
		19971	8'H / 10'H	Left		
		19972		Right		
		19981	8'H / 10'H less 2"	Left		
		19982		Right		
	Headboard Round Skin Side WITH Ratchet for Interior Ratcheting Option	19973	6'H	Left	Only used with Interior Ratcheting option (see Options section)	
		19974		Right		
		19975	7'H	Left		
		19976		Right		
		19977	8'H / 10'H	Left		Includes G
		19978		Right		
19979	8'H / 10'H less 2"	Left				
19980		Right				
F	Headboard Top Corner	18168				
G	Assembled Quick Release	12220		Left		
		12221		Right		
H	Floor Channel: Center	17767				
J	Floor Channel: Side	17777	102"W	Left		
		17778		Right		
		17779	108"W	Left		
		17780		Right		
K	Vertical Channel	04630	6'H			
		04626	7'H			
		04625	8'H / 8'H less 2"		10'H / 10'H less 2"	
L	Channel Stiffener Plate	20744				

Figure 6.2: Headboard Parts

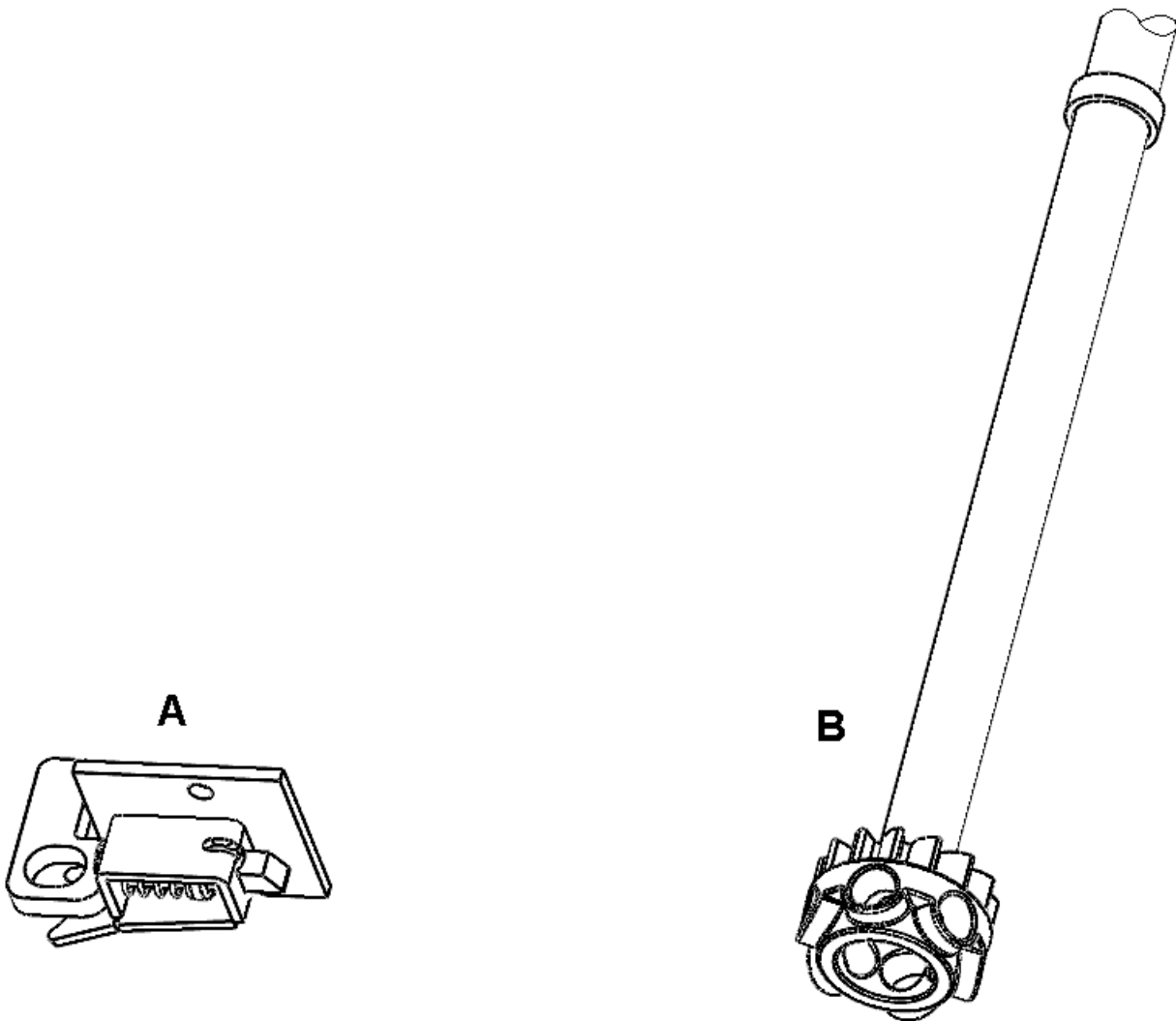


Table 6.2: Headboard Parts

	Description	Item ID	System	Position	Notes
A	Assembled Quick Release	12220		Left	
		12221		Right	
B	Headboard Pipe with Cast Ratchet Gear	19947	6'H	Left	
		19948		Right	
		19949	7'H	Left	
		19950		Right	
		19951	8'H / 10'H 8'H / 10'H less 2"	Left	
		19952		Right	
		21115	Any size	Left	12" pipe for repairs only
		21116		Right	

Figure 6.3: Headboard Parts

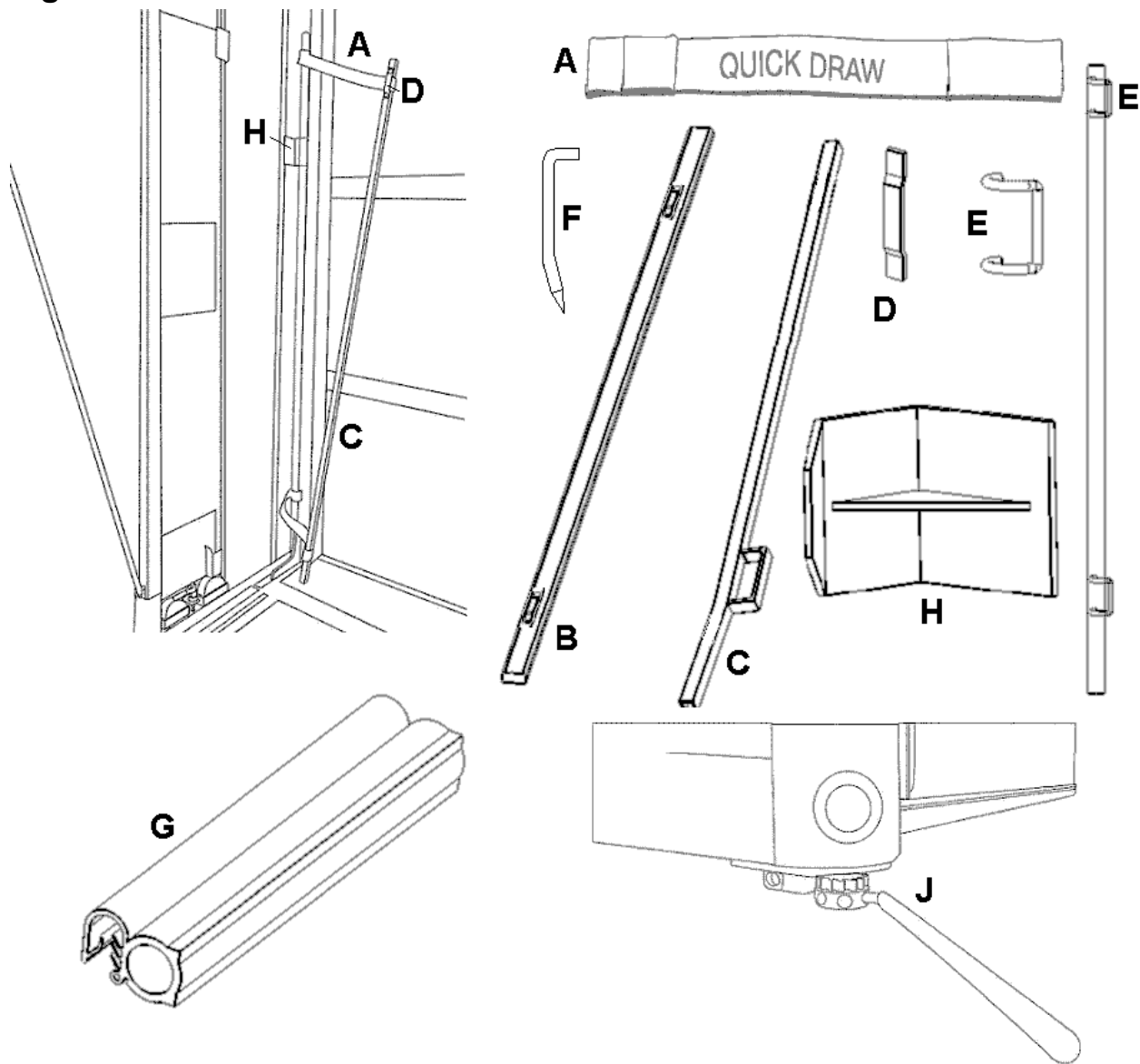


Table 6.3a: Headboard Parts

	Description	Item ID	System	Position	Notes
A	Headboard Strap: 24"	17608			2006 to present
	Headboard Strap: 29"	11427			2003 to 2006
	Headboard Strap: Cordura	11428			1997 to 2003
B	Extruded Pull Bar for Front Locking System (2006 +)	17657	6'H / 7'H		
		20674	8'H / 8'H less 2"		10'H / 10'H less 2"

Table 6.3b: Headboard Parts

	Description	Item ID	System	Position	Notes
C	Tube Pull Bar for Front Locking System (1997 – 2006)	17645	6'H		
		17744	7'H		
		17745	8'H / 8'H less 2"		10'H / 10'H less 2"
D	Pull Bar Strap Clip	18169			
E	Headboard Pipe Strap Clip	19601			
F	Headboard Strap Pin	18170			
G	Rubber Bulb Seal	22791			164' Roll
	Rubber Bulb Seal	23986			28'
	2.5" Amber LED Light	11113			
	Close Back Grommet for 2.5" Light	11056			
H	Bow Guide and Gusset Assembly	01832			
J	Winch Bar	12374			

<< blank page >>

7 Bow Assemblies & Parts

In about August of 2006, a design change was implemented for front bows. The present design uses an “Extruded Pull Bar” (see figure 7.1) and the previous design used a “Tube Pull Bar” (see figure 7.2). Replacement parts for both types of front bows are listed and available for purchase.

Figure 7.1: Front Bow (Extruded Pull Bar 2006+)

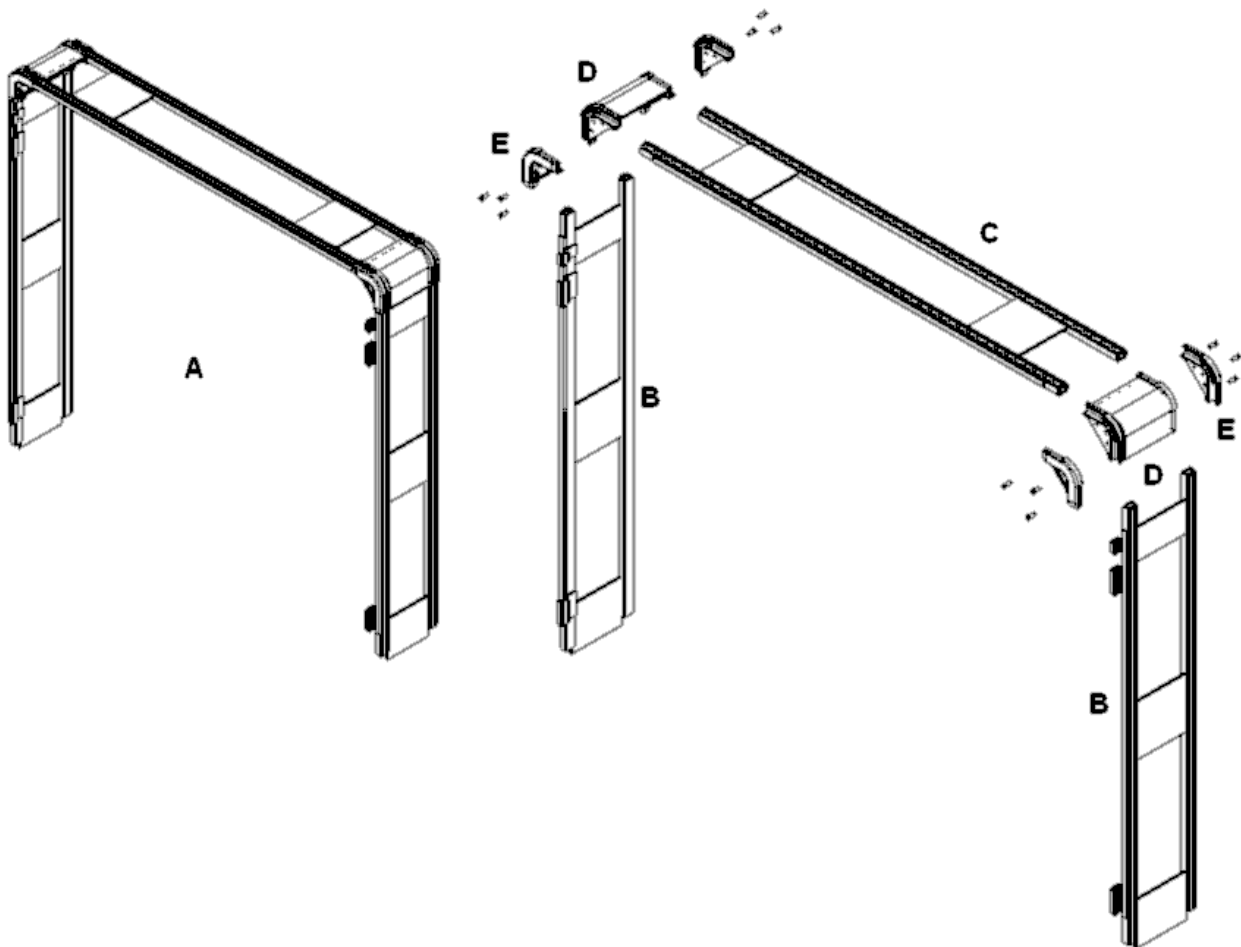


Table 7.1: Front Bow Assemblies & Parts (Extruded Pull Bar 2006+)

	Description	Item ID	System	Position	Notes
A	16" Front Bow Assembly (for Extruded Pull Bar)	18280	6'H x 96"W		
		18281	6'H x 102"W		
		18282	6'H x 108"W		
		18283	7'H x 96"W		
		18284	7'H x 102"W		
		18285	7'H x 108"W		
		18286	8'H x 96"W		
		18287	8'H x 102"W		
		18288	8'H x 108"W		
		01013	8'H less 2" x 96"W		
		01006	8'H less 2" x 102"W		
		01012	8'H less 2" x 108"W		
B	Front Side Bow (for Extruded Pull Bar)	01000	6'H	Left	
		01001		Right	
		01002	7'H	Left	
		01003		Right	
		01004	8'H	Left	
		01005		Right	
		18342	8'H Less 2"	Left	
		01007		Right	
C	Front Top Bow (with Flat Bar)	01014	96"W		
		19072	102"W		
		18406	108"W		
D	16" Aluminum Corner	23622			Most common
	24" Aluminum Corner	00093			
E	Cast Aluminum Corner	22943			One side only

Figure 7.2: Front Bow (Tube Pull Bar 1997-2006)

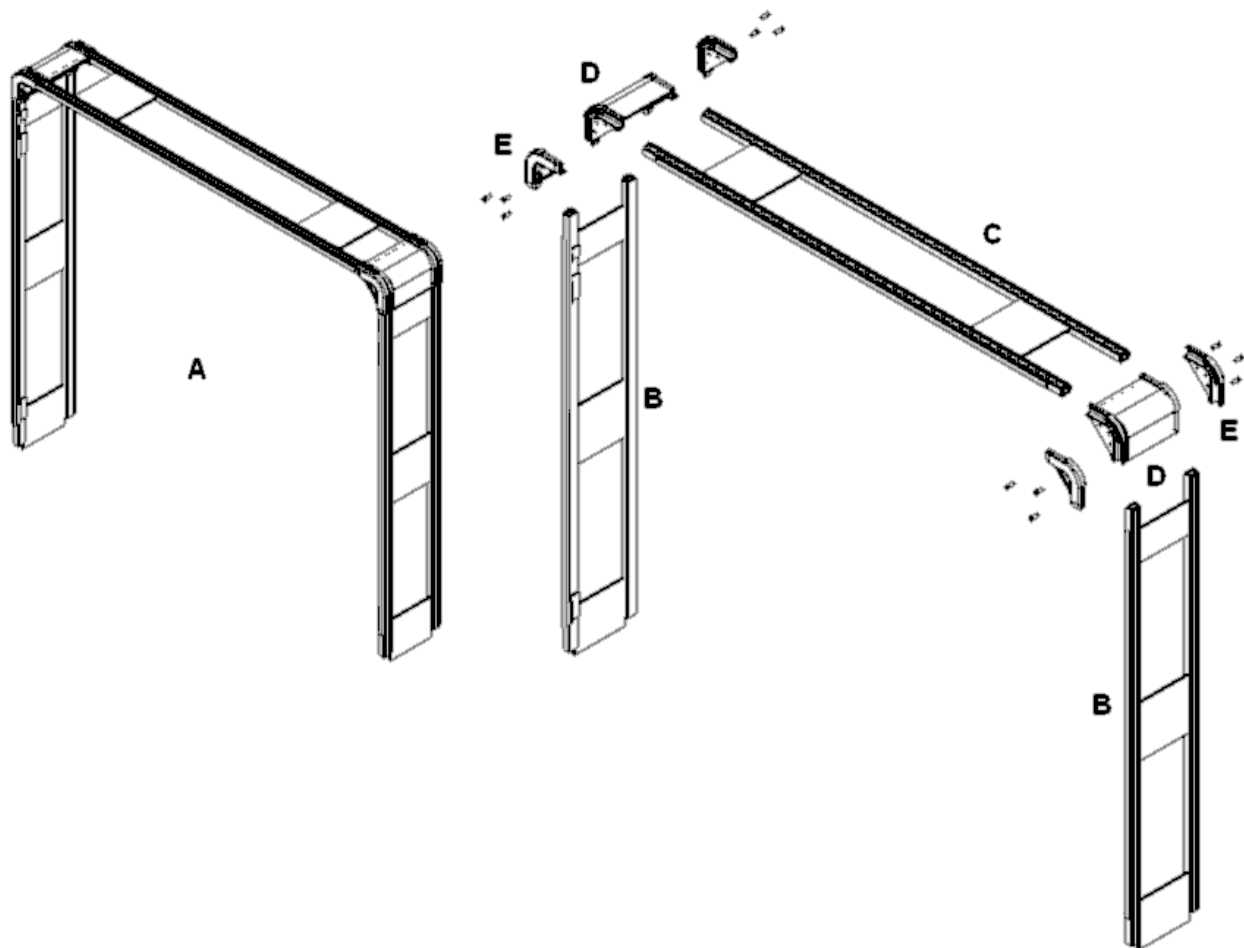


Table 7.2a: Front Bow Assemblies (Tube Pull Bar 1997-2006)

	Description	Item ID	System	Position	Notes
A	16" Front Bow Assembly (for Tube Pull Bar)	20277	6'H x 96"W		
		20281	6'H x 102"W		
		20285	6'H x 108"W		
		20278	7'H x 96"W		
		20282	7'H x 102"W		
		20286	7'H x 108"W		
		20280	8'H x 96"W		
		20284	8'H x 102"W		
		20288	8'H x 108"W		
		20279	8'H less 2" x 96"W		
		20283	8'H less 2" x 102"W		
		20287	8'H less 2" x 108"W		

Table 7.2b: Front Bow Parts (Tube Pull Bar 1997-2006)

	Description	Item ID	System	Position	Notes
B	Front Side Bow (for Tube Pull Bar)	20065	6'H	Left	
		20066		Right	
		20067	7'H	Left	
		20068		Right	
		20069	8'H	Left	
		20070		Right	
		20071	8'H Less 2"	Left	
		20072		Right	
C	Front Top Bow (with Flat Bar)	01014	96"W		
		19072	102"W		
		18406	108"W		
D	16" Aluminum Corner	23622			Most common
	24" Aluminum Corner	00093			
E	Cast Aluminum Corner	22943			One side only

Figure 7.3: Front Bows for Drop Deck Systems

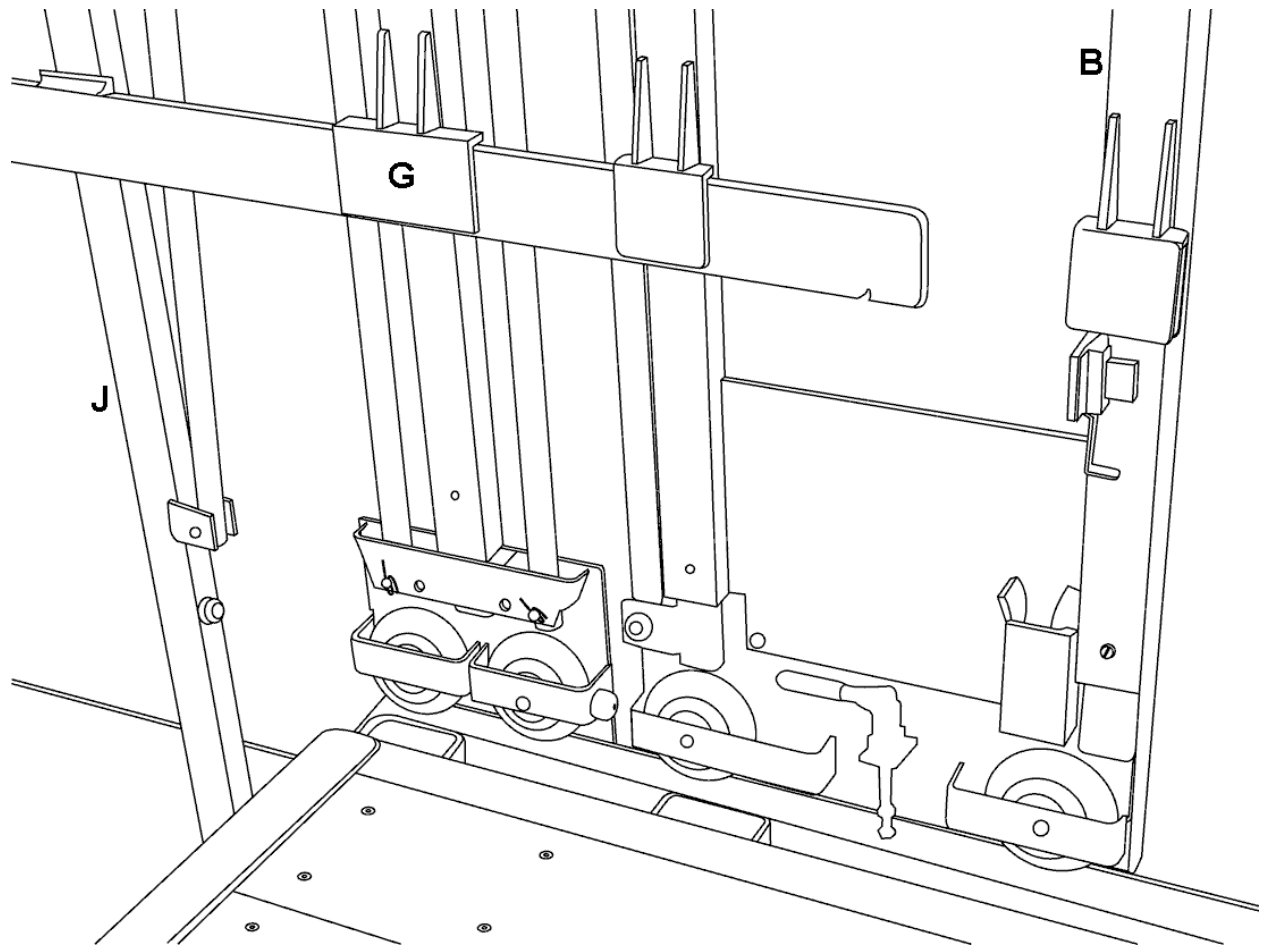


Table 7.3: Front Bows for Drop Deck Systems

	Description	Item ID	System	Position	Notes
A	16" Drop Deck Front Bow Assembly with Fork Latches & Pocket (for Extruded Pull Bar)	18289	8'H x 96"W		See note below *
		18290	8'H x 102"W		
		18291	8'H x 108"W		
		18472	8'H less 2" x 96"W		
		00087	8'H less 2" x 102"W		
		18578	8'H less 2" x 108"W		
B	Front Side Bow with Fork Hardware for Drop Deck (for Extruded Pull Bar)	01008	8'H	Left	
		01009		Right	
		18161	8'H Less 2"	Left	
		18162		Right	
	16" Drop Deck Front Bow Assembly with Fork Latches & Pocket (for Tube Pull Bar)	20292	8'H x 96"W		
		20293	8'H x 102"W		
		20294	8'H x 108"W		
		20289	8'H less 2" x 96"W		
		20290	8'H less 2" x 102"W		
		20291	8'H less 2" x 108"W		
	Front Side Bow with Fork Hardware for Drop Deck (for Tube Pull Bar)	20073	8'H	Left	
		20074		Right	
		20075	8'H Less 2"	Left	
		20076		Right	
F	Intermediate Bow Assembly for Upper Deck on Drop Deck Systems (includes Fork Pockets)	18276	8'H x 96"W		
		18277	8'H x 102"W		
		18278	8'H x 108"W		
		18056	8'H less 2" x 96"W		
		18057	8'H less 2" x 102"W		
		18058	8'H less 2" x 108"W		
G	Intermediate Side Bow with Fork Pocket for Drop Deck	18159	8'H	Left	
		18160		Right	
H	16" Front Bow Assembly with Fork Extensions	18294	10'H x 96"W		
		18293	10'H x 102"W		
		18292	10'H x 108"W		
		18167	10'H Less 2" x 96"W		
		18052	10'H Less 2" x 102"W		
		18053	10'H Less 2" x 108"W		
J	Front Side Bow for Lower Deck on Drop Deck (including Fork Hardware)	01010	10'H	Left	
		01011		Right	
		18355	10'H Less 2"	Left	
		18354		Right	
	Front Side Bow for Lower Deck on Drop Deck (NO Fork Hardware)	20077	10'H	Left	
		20078		Right	
		20080	10'H Less 2"	Left	
		20081		Right	
	Front Top Bow (NO Flat Bar)	18109	96"W		
		01015	102"W		
		19078	108"W		
D	16" Aluminum Corner	23622			Most common
	24" Aluminum Corner	00093			
E	Cast Aluminum Corner	22943			One side only

* Forks, fork pockets, latches and other fork hardware are shipped as loose items that require aluminum welding to complete installation/repair/replacement.

Figure 7.4: Intermediate Bows

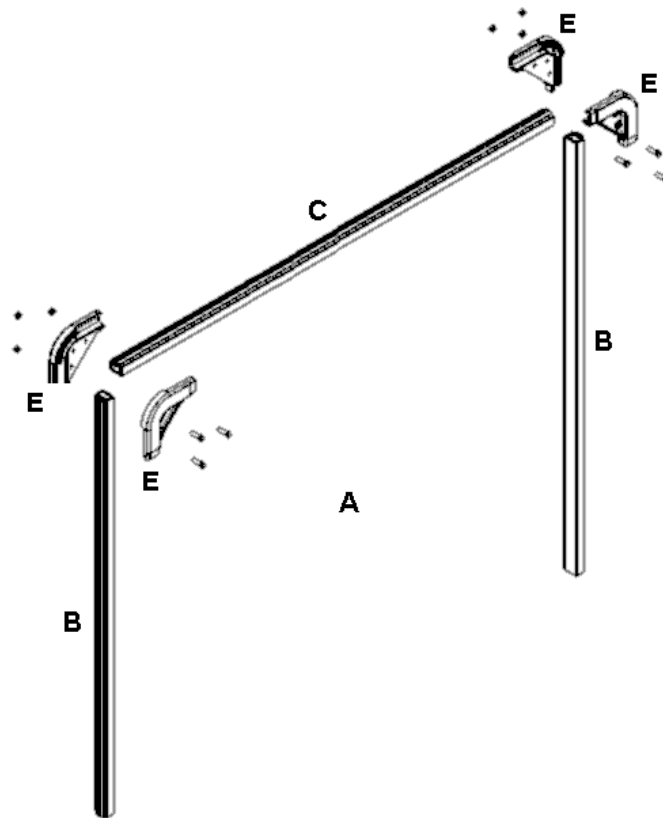


Table 7.4a: Intermediate Bows

	Description	Item ID	System	Position	Notes
A	Intermediate Bow Assembly	18263	6'H x 96"W		
		18264	6'H x 102"W		
		18265	6'H x 108"W		
		18266	7'H x 96"W		
		18267	7'H x 102"W		
		18268	7'H x 108"W		
		18269	8'H x 96"W		
		18270	8'H x 102"W		
		18271	8'H x 108"W		
		18049	8'H less 2" x 96"W		
		18054	8'H less 2" x 102"W		
		18055	8'H less 2" x 108"W		
		18273	10'H x 96"W		
		18274	10'H x 102"W		
		18275	10'H x 108"W		

Table 7.4b: Intermediate Bow Parts

	Description	Item ID	System	Position	Notes
B	Intermediate Side Bow	00021	6'H		
		00022	7'H		
		00024	8'H		
		00023	8'H Less 2"		
		00028	10'H		
		20245	10'H Less 2"		
C	Intermediate Top Bow	00024	96"W		
		00025	102"W		
		00026	108"W		
E	Cast Aluminum Corner	22943			One side only

Figure 7.5: Rear Bows

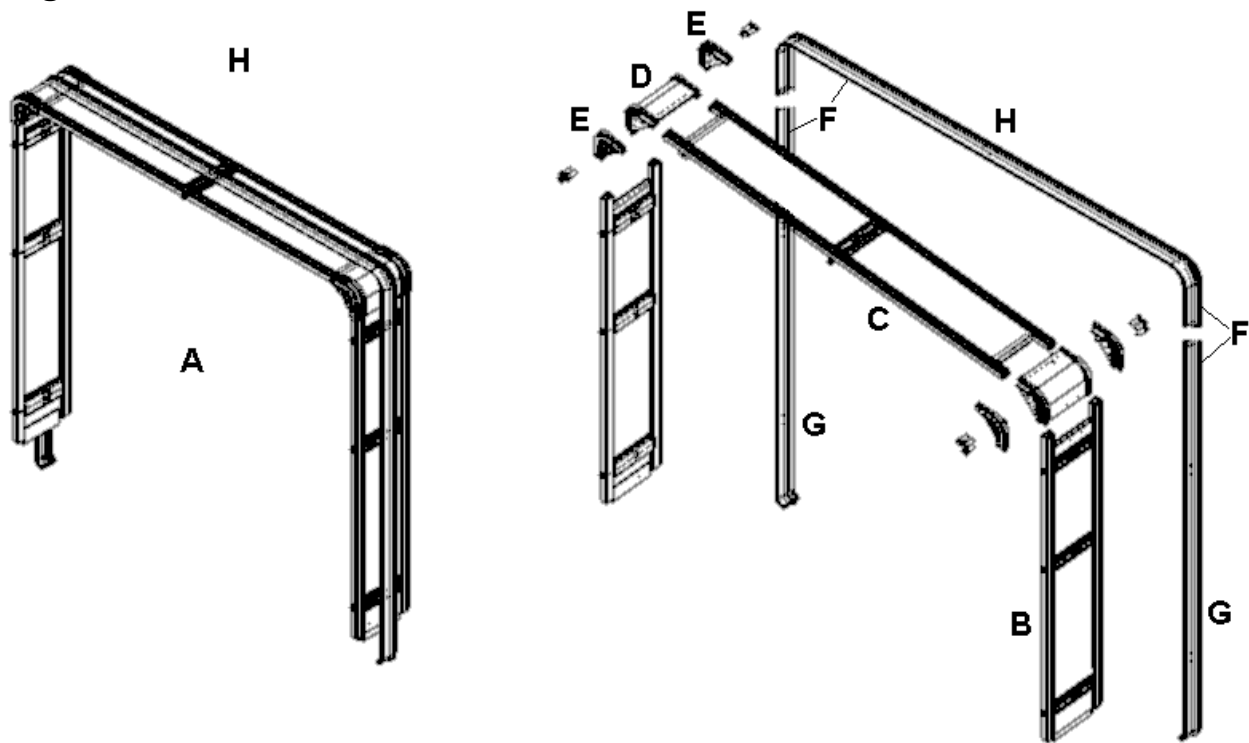


Table 7.5a: Rear Bow Assemblies

	Description	Item ID	System	Position	Notes
A	16"W Rear Adjustable Bow Assembly	18250	6'H x 96"W		
		18251	6'H x 102"W		
		18252	6'H x 108"W		
		18253	7'H x 96"W		
		18254	7'H x 102"W		
		18255	7'H x 108"W		
		18257	8'H x 96"W		
		18256	8'H x 102"W		
		18259	8'H x 108"W		
		18063	8'H less 2" x 96"W		
		18064	8'H less 2" x 102"W		
		18067	8'H less 2" x 108"W		
		18260	10'H x 96"W		
		18261	10'H x 102"W		
		18262	10'H x 108"W		
		18069	10'H less 2" x 96"W		
		18070	10'H less 2" x 102"W		
		18071	10'H less 2" x 108"W		

Table 7.5b: Rear Bow Parts

	Description	Item ID	System	Position	Notes
B	16"W Rear Adjustable Side	01028	6'H	Left	
		01029		Right	
		01030	7'H	Left	
		01031		Right	
		01032	8'H	Left	
		01033		Right	
		01034	8'H Less 2"	Left	
		01035		Right	
		01036	10'H	Left	
		01037		Right	
		18150	10'H Less 2"	Left	
		18151		Right	
B	24"W Rear Adjustable Side	18726	8'H	Left	
		18727		Right	
C	16"W Rear Adjustable Top	01038	96"W		
		01039	102"W		
		18382	108"W		
C	24"W Rear Adjustable Top	18728	108"W		
D	16" Aluminum Corner	23622			Most common
	24" Aluminum Corner	00093			
E	Cast Aluminum Corner	22943			One side only

Table 7.5c: Rear Bow Parts – Tarp Connector

	Description	Item ID	System	Position	Notes
F	Rear Tarp Connector (Complete)	17528	6'H x 102"W		
		17529	6'H x 108"W		
		17531	7'H x 102"W		
		17532	7'H x 108"W		
		17533	8'H x 102"W		
		17535	8'H x 108"W		
		17537	8'H Less 2" x 102"W		
		17538	8'H Less 2" x 108"W		
		18148	10'H x 102"W		
		17536	10'H x 108"W		
		17539	10'H Less 2" x 102"W		
		17540	10'H Less 2" x 108"W		
G	Rear Tarp Connector: Side	20165	6'H	Left	
		20180		Right	
		20166	7'H	Left	
		20181		Right	
		20172	8'H	Left	
		20182		Right	
		20167	8'H Less 2"	Left	
		20183		Right	
		20163	10'H	Left	
		20184		Right	
		20164	10'H Less 2"	Left	
		20185		Right	
H	Rear Tarp Connector: Top	20168	102"W		
		20169	108"W		

8 Lifter Bows

Figure 8.1: Lifter Bows

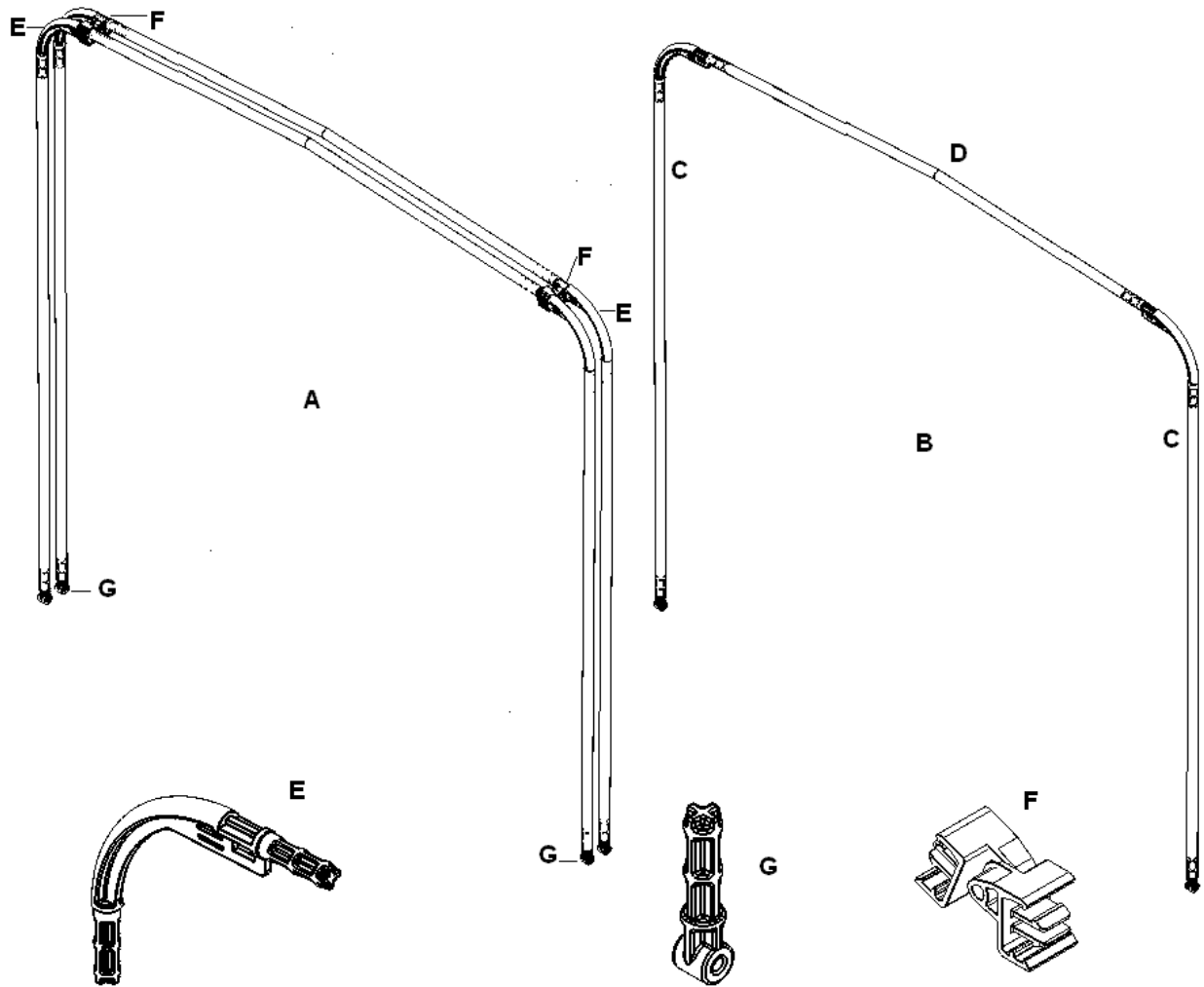


Table 8.1: Lifter Bows

	Description	Item ID	System	Position	Notes
A	Lifter Bow Assembly: Universal	19256	6'H x 102"W		See note below *
		19260	6'H x 108"W		
		19257	7'H x 102"W		
		19261	7'H x 108"W		
		19258	8'H x 102"W		
		19262	8'H x 108"W		
		20303	8'H less 2" x 102"W		
		20304	8'H less 2" x 108"W		
		19259	10'H x 102"W		
		19263	10'H x 108"W		
		20306	10'H less 2" x 102"W		
		20305	10'H less 2" x 108"W		
B	Lifter Bow Assembly: Single	01040	6'H x 102"W		
		17683	6'H x 108"W		
		17434	7'H x 102"W		
		18445	7'H x 108"W		
		17664	8'H x 102"W		
		18443	8'H x 108"W		
		20307	8'H less 2" x 102"W		
		20308	8'H less 2" x 108"W		
		17440	10'H x 102"W		
		19452	10'H x 108"W		
		20309	10'H less 2" x 102"W		
		20310	10'H less 2" x 108"W		
C	Lifter Side Extension	12204	6'H		
		12201	7'H		
		12202	8'H		
		17797	8'H less 2"		
		21051	10'H		
		20311	10'H less 2"		
D	Lifter Bow Top Extension	18163	102"W		Peaked at center
		18164	108"W		
E	Lifter Bow Plastic Corner	17329			
F	Lifter Bow Hinge Assembly	20312			Includes item 12260 bolt & nut
G	Lifter Bow Extension Peg	17330			

* For replacement lifter bow assemblies and side extensions, a system serial number is usually required for proper cut-size parts. The generic full length parts may be kept in inventory by branches and dealers, or may be ordered by customers; however, these parts need to be trimmed to proper size upon installation.

9 Rear Braces

Rear braces are used to tension and lock the tarp at the back of the vehicle. Single hook rear braces were manufactured from 1997 to 2005 and replacement parts are available. Double hook rear braces were manufactured since 2006 and are presently used in new systems. Most parts (other than the hook point) are interchangeable between single and double hook rear braces.

Figure 9.1: Double Hook Rear Braces

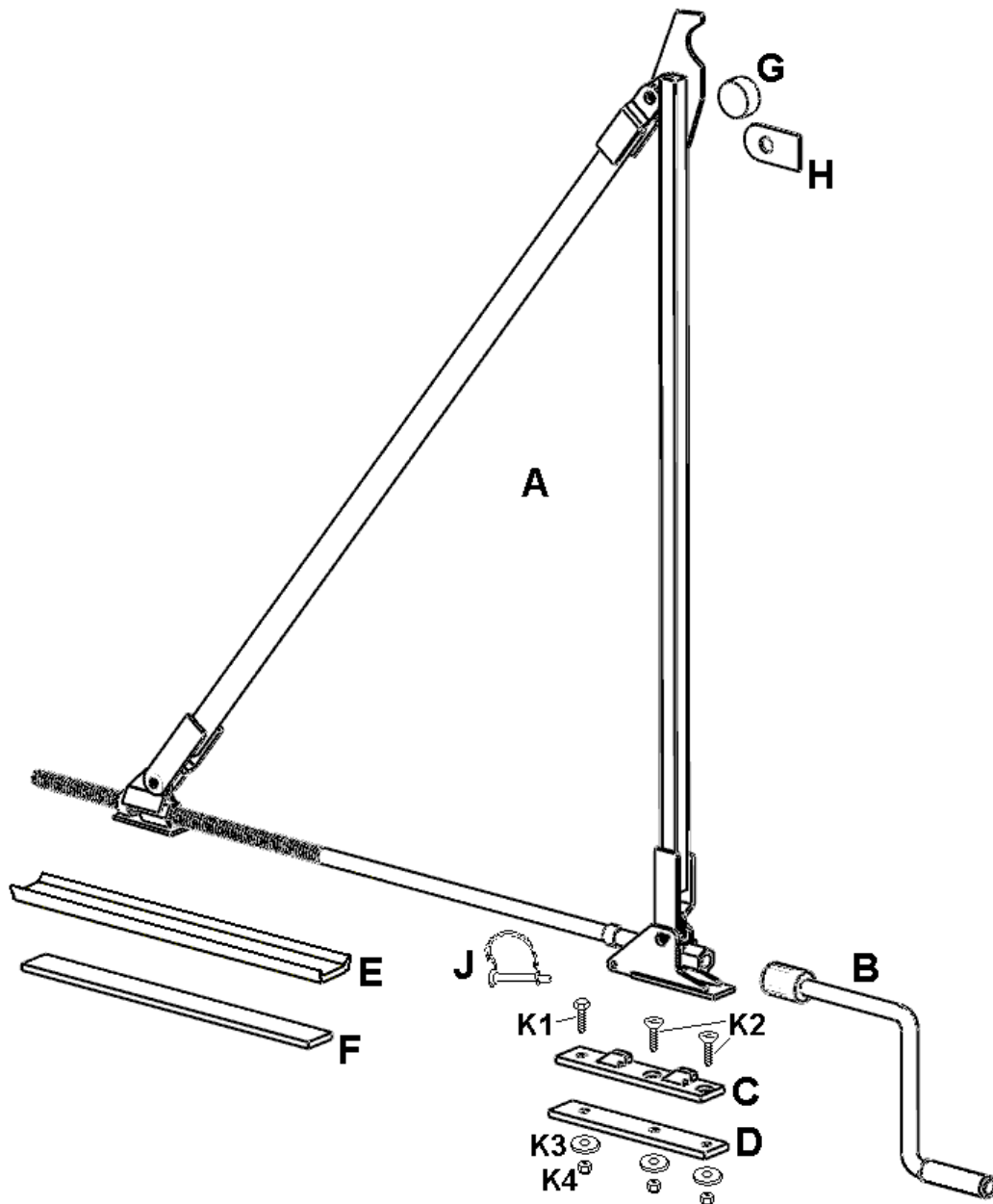


Table 9.1: Double Hook Rear Braces

Table of Double Hook Rear Braces and Associated Parts

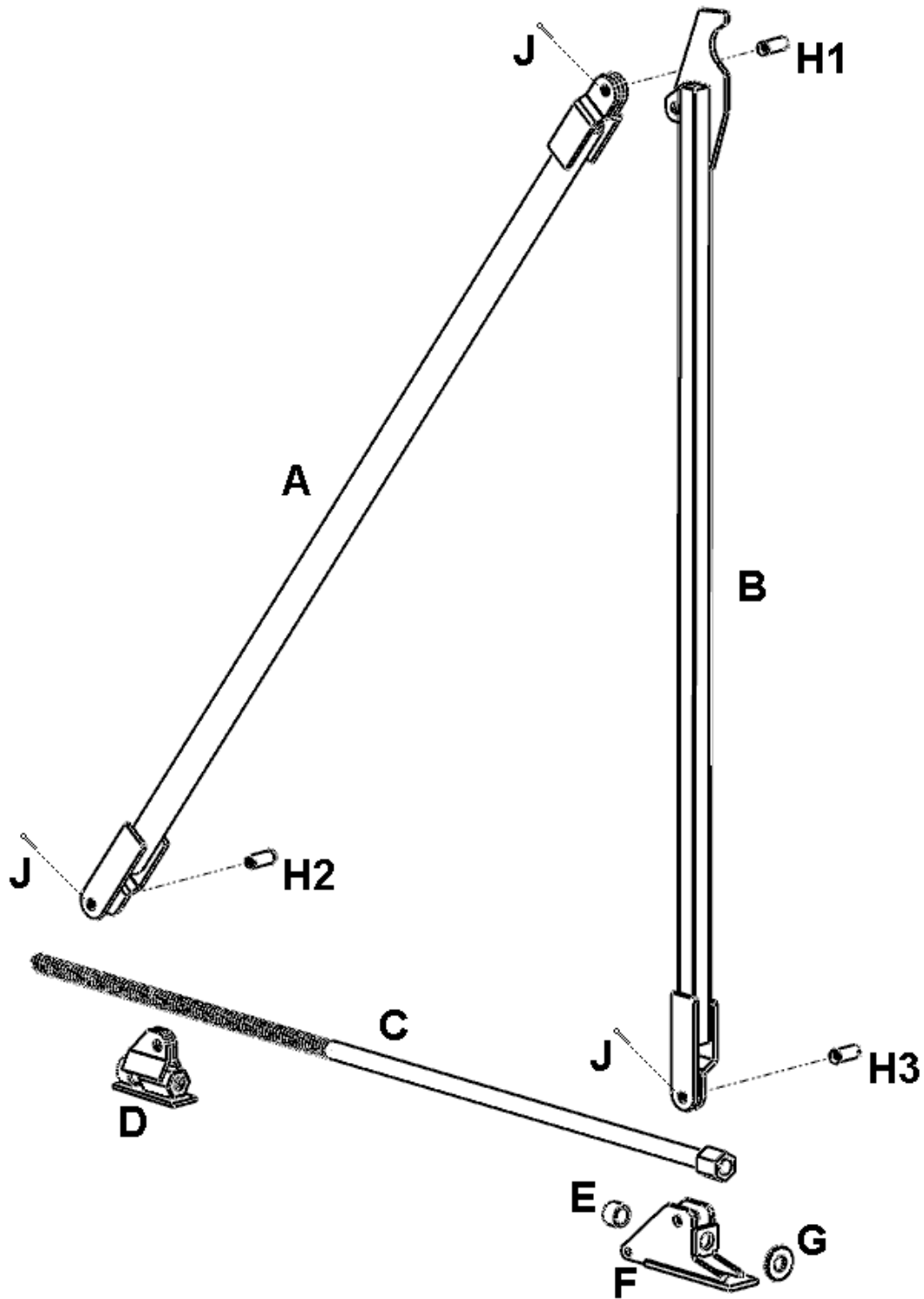
	Description	Item ID	System	Position	Notes
A	Double Hook Rear Brace *	18360	6'H	Left Side	
		18361		Right Side	
		18358	7'H	Left Side	
		18359		Right Side	
		18356	8'H **	Left Side	See notes below **
		18357		Right Side	
		18362	10'H ***	Left Side	See notes below ***
18363	Right Side				
B	Crank Handle: Long	17743			Most common
	Crank Handle: Folding	24578			Not compatible with regular rear brace
C	Double Hook	18189			Fastened to flatbed
D	Double Hook Spacer Plate	18326			Required for aluminum flatbeds only
E	Slide Guide: Aluminum	18191			For aluminum flatbeds
	Slide Guide: Steel	18692			For steel flatbeds
F	Slide Guide Spacer Plate: Aluminum	18885			For aluminum slide guide (Item 18191)
	Slide Guide Spacer Plate: Steel	19659			For steel slide guide (Item 18692)
G	Aluminum Puck and Plate	21719			Welded to rear bow
H					
J	Locking Pin	17782			
K1	1/2"-13 x 2" Hex Cap Gr. 5	08152			Plated
K2	1/2"-13 x 2" Flat Head Socket Cap Screw	05813			Plated
K3	1/2" Flat Washer	08925			Plated
K4	1/2"-13 Nylon Insert Hex Locknut	08792			Plated

* All double hook rear braces (**A**) include locking pin (**J**), all clevis pins and all cotter pins. All other associated parts (**B, C, D, E, F, G, H, K1, K2, K3 & K4**) must be ordered separately.

** All rear braces and rear brace parts are the same for 8'H and 8'H less 2" systems.

*** All rear braces and rear brace parts are the same for 10'H and 10'H less 2" systems.

Figure 9.2: Double Hook Rear Brace Subparts



Tables 9.2a & 9.2b: Double Hook Rear Brace Subparts

Table 9.2a: Double Hook Rear Brace Subparts

	Description	Item ID	System	Position	Notes
A	Hypotenuse Tube	17690	6'H		Includes clevis & cotter pins.
		17692	7'H		
		17694	8'H		
		18498	10'H	Left Side	
		18499		Right Side	
B	Vertical Tube	17674	6'H	Left Side	Includes clevis & cotter pins.
		17673		Right Side	
		17678	7'H	Left Side	
		17677		Right Side	
		17682	8'H	Left Side	
		17681		Right Side	
		17686	10'H	Left Side	
17685	Right Side				
C	Coil Rod *	18183	6'H / 7'H		Replacement requires removal of weld on stopper sleeve (E). See note below *
		18184	8'H		
		18185	10'H		
	Coil Rod: Folding (for Folding Handle 24578)	24583	6'H / 7'H		
		24584	8'H		
		24585	10'H		
D	Coil Rod Slider Nut	18523			Includes clevis & cotter pins.
E	Coil Rod Stopper Sleeve *	18422			See note below *
F	Double Hook Receiver *	19139			With holes for locking. Includes clevis & cotter pins. See note below *
G	3/4" SAE Flat Washer *	08949			Plated, see note below *
H1	1/2" Dia. Clevis Pin x 1-1/4"	08020			Plated
H2	1/2" Dia. Clevis Pin x 1-1/2"	08021			Plated
H3	1/2" Dia. Clevis Pin x 1-3/4"	19749			Plated
J	1/8" x 1" Cotter Pin	08026			Plated

* Replacement of coil rod (**C**) requires removal of weld on stopper sleeve (**E**). Replacement coil rod (**C**) does not include stopper sleeve (**E**) or washer (**G**). Stopper sleeve (**E**) and washer (**G**) must be ordered separately if required for coil rod replacement. Stopper sleeve and washer from existing coil rod may be reused if they are in good condition. Stopper sleeve must be re-welded to coil rod to complete replacement of coil rod. To replace a coil rod without requirement for field welding, use assemblies listed in the following table:

Table 9.2b: Replacement Coil Rod Assemblies that Do Not Require Field Welding

Item ID	System	Includes the Following Items
20652	6'H & 7'H	Assembled & welded: 18183 Coil Rod (C), 19139 Double Hook Receiver (F), 18422 Stopper Sleeve (E), 08949 SAE Flat Washer (G)
20653	8'H	Assembled & welded: 18184 Coil Rod (C), 19139 Double Hook Receiver (F), 18422 Stopper Sleeve (E), 08949 SAE Flat Washer (G)
20654	10'H	Assembled & welded: 18185 Coil Rod (C), 19139 Double Hook Receiver (F), 18422 Stopper Sleeve (E), 08949 SAE Flat Washer (G)

Figure 9.3: Single Hook Rear Braces (1997-2005)

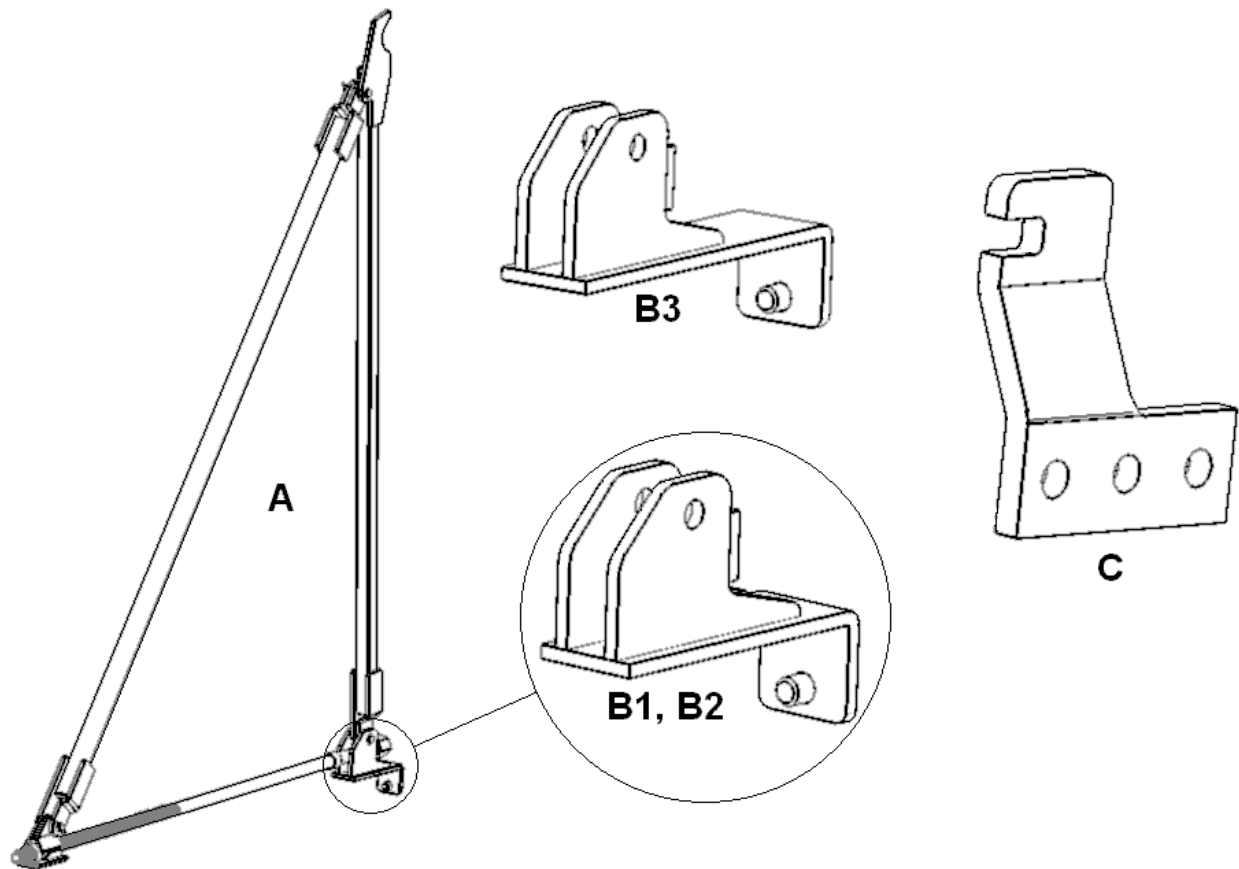


Table 9.3: Single Hook Rear Braces and Parts

	Description	Item ID	System	Position	Notes
A	Single Hook Rear Brace*	18249	6'H	Left Side	
		17663		Right Side	
		19442	7'H	Left Side	
		17661		Right Side	
		18444	8'H	Left Side	
		17660		Right Side	
		17666	10'H	Left Side	
		17665		Right Side	
B1	Rear Hook Assembly	19145			See note **
B2	Rear Hook Assembly: Drop Deck	19147			See note **
B3	Rear Hook Assembly: Extended	18115			See note **
C	Rear Brace Offset Bracket	18423		Left Side	See note **
	Rear Brace Offset Bracket	18424		Right Side	See note **

* Single hook rear braces are no longer installed on systems after 2005. Replacement parts are available.

** Only parts that are different from double hook rear braces are listed in this table. Most parts not shown in this table are interchangeable between single and double hook rear braces.

10 Miscellaneous Items & Lubricants

Table 10.1: Miscellaneous Items & Lubricants

	Description	Item ID	System	Position	Notes
	Quick Draw Tarpaulin Systems: Operator's Manual	20840			
	Quick Draw Tarpaulin Systems: Guide de l'opérateur	20841			French Language Operator's Manual
	X Brace Strap (1"W x 8"L Strap; 1"W x 168"L Strap; Buckle; Wire Hooks)	12393			
	X Brace Bracket (Galvanized Steel)	17737			
	2" Reflective Tape	12299			
	3/8" Black Braided Rope	12338			
	9" Black Rubber Tarp Strap Bungee Cord with S Hooks	12075			
	Heavy Duty Red Grease: Spray Can	12053			Used for lubrication of headboard pipes; headboard gears; and, carrier stops
	Grease: Dura-Lith EP 1 (400g Caulking Tube)	20893			Used for lubrication of 4" wheels and rear braces
	Flush Type Nozzle for 7584 F Grease Gun	14968			Used with 7584 F grease gun to apply lubricant to 4" wheels
	7584 F Grease Gun: Flush Type, 9 Oz. Capacity	14967			
	Silicone Spray Heavy Duty Lubricant (300 g)	21234			Used for pulling tarp through aluminum extruded bows and pulling weather seal through aluminum extruded track
	Elastomeric Adhesive/Sealant: 300 mL Black Tube	12327			Adhesive used for weather seal on track and headboard bulb seal
	Silicone Tube Aluminum: 300 mL General Purpose	11902			Used as sealant for aluminum die cast corners; seams on front and rear bows; and, seams on headboard

11 Fasteners

Figure 11.1: Fasteners

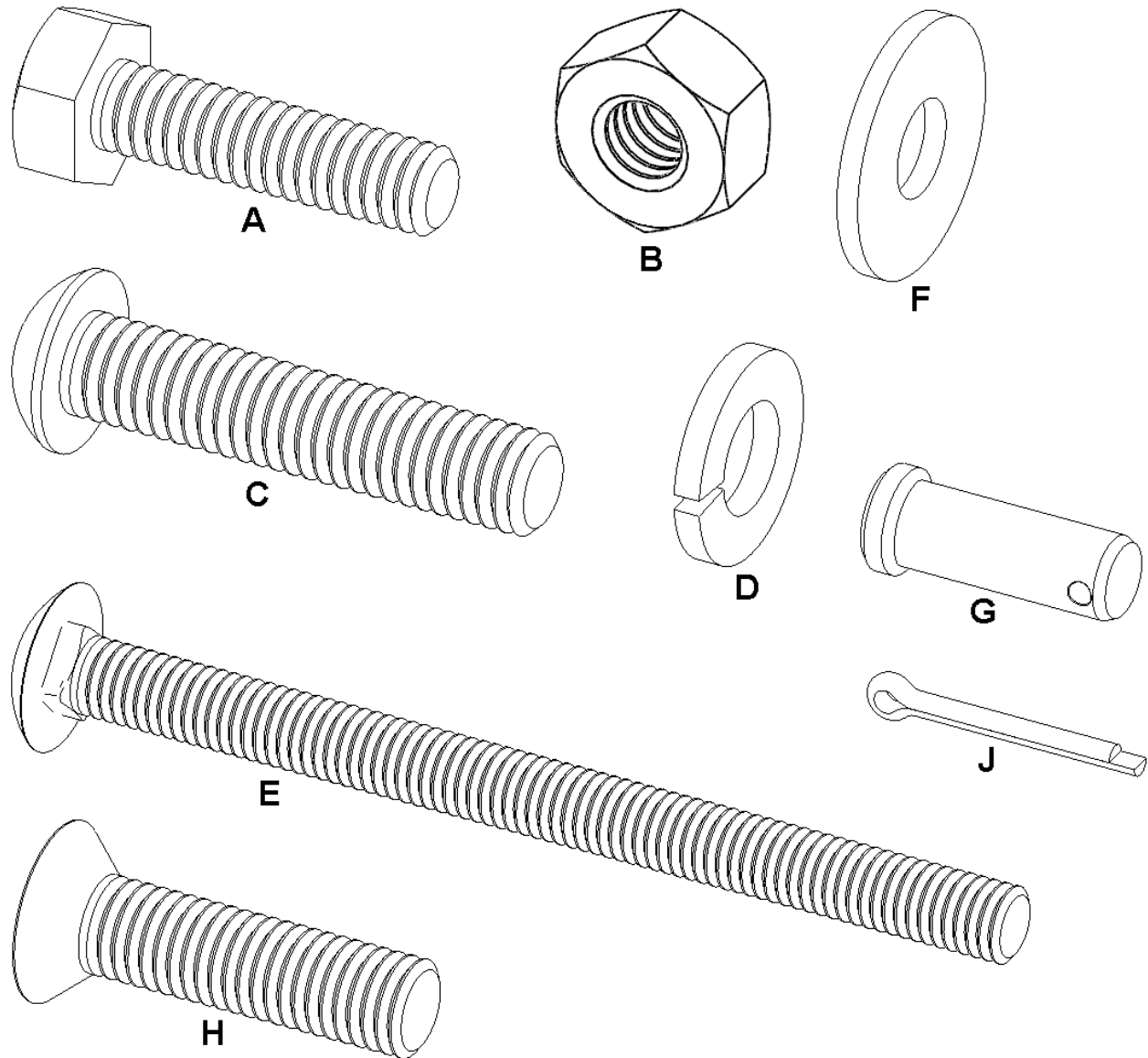


Table 11.1: Fasteners

	Description	Item ID	Notes
A	1/4"-20 x 1" Hex Cap Gr 5 Plated	08052	Receiver Tube
B	1/4"-20 Nylon Insert Hex Locknut Plated (Nylock)	08788	Receiver Tube
A	5/16"-18 x 2-3/4" Hex Socket Cap Screw Plated	08084	12" Carriers / Intermediate Bows
C	5/16"-18 x 1-1/2" S.S. Hex Socket Button Head Cap Screw	07349	Track
B	5/16"-18 Hex Nut Grade 5 Plated	08822	Track
B	5/16"-18 Nylon Insert Hex Locknut Plated (Nylock)	08789	12" Carriers / Intermediate Bows
D	5/16" Split Lockwasher Plated	08964	Track
A	3/8"-16 x 1" Hex Cap Gr 5 Plated	08102	Tarp Connector
A	3/8"-16 x 1-1/2" Hex Cap Gr 5 Plated	08104	Aluminum Corners
E	3/8"-16 x 5" Carriage Bolt (Round Head, Square Neck) Plated	10052	Rear Track
C	3/8"-16 x 1" S.S. Button Head Hex Socket Cap Screw	19917	16" Carriers / Front Bow
C	3/8"-16 x 1-1/4" S.S. Button Head Hex Socket Cap Screw	19916	16" Carriers / Rear Bow
B	3/8"-16 Nylon Insert Hex Locknut Plated (Nylock)	08790	Aluminum Corners; 16" Carriers / Front & Rear Bows; Rear Track
F	3/8" Standard Flat Washer Plated	08923	Tarp Connector; 16" Carriers / Front & Rear Bows
D	3/8" Split Lockwasher Plated	08965	Tarp Connector
G	3/8" x 1-5/8" on Center; 5/32" Hole Clevis Pin Plated	12306	Lifter Bow Pegs
B	7/16"-20 Hex Nut Fine Gr 5 Plated	08846	1-3/4" Diameter Guide Wheel
A	1/2"-13 x 2" Hex Cap Gr 5 Plated	08152	Headboard; Rear Brace Mounts
H	1/2"-13 x 2" Flat Head Skt Cap Screw / Top Mount Brace	05813	Rear Brace Mounts
B	1/2"-13 Nylon Insert Hex Locknut Plated (Nylock)	08792	Headboard; Rear Brace Mounts
F	1/2" Standard Flat Washer Plated	08925	Headboard; Rear Brace Mounts
G	1/2" Dia. Clevis Pin x 1-1/4" Plated	08020	Rear Braces
G	1/2" Dia. Clevis Pin x 1-1/2" Plated	08021	Rear Braces
G	1/2" Dia. Clevis Pin x 1-3/4" Plated	19749	Rear Braces
J	1/8" x 1" Cotter Pin: Plated	08026	Lifter Bow Pegs; Rear Braces
	3/16" x 3/8" All Steel Dome Head Rivet	10421	Intermediate Tarp Clips
	3/16" S.S. Pop Rivet, 0.375" Grab x 1/2" Long – S.S. Mandrel	10425	Front & Rear Tarp Clips
	3/16" Aluminum Rivet, 1/2" Long, Large Head	12289	Inner Rain Flap
	1/4" x 1" Mushroom Head Nylon Nail-In Anchor "Thundertap"	12061	Tarp Panel Bottoms

12 Options

Figure 12.1: Headboard Access Door

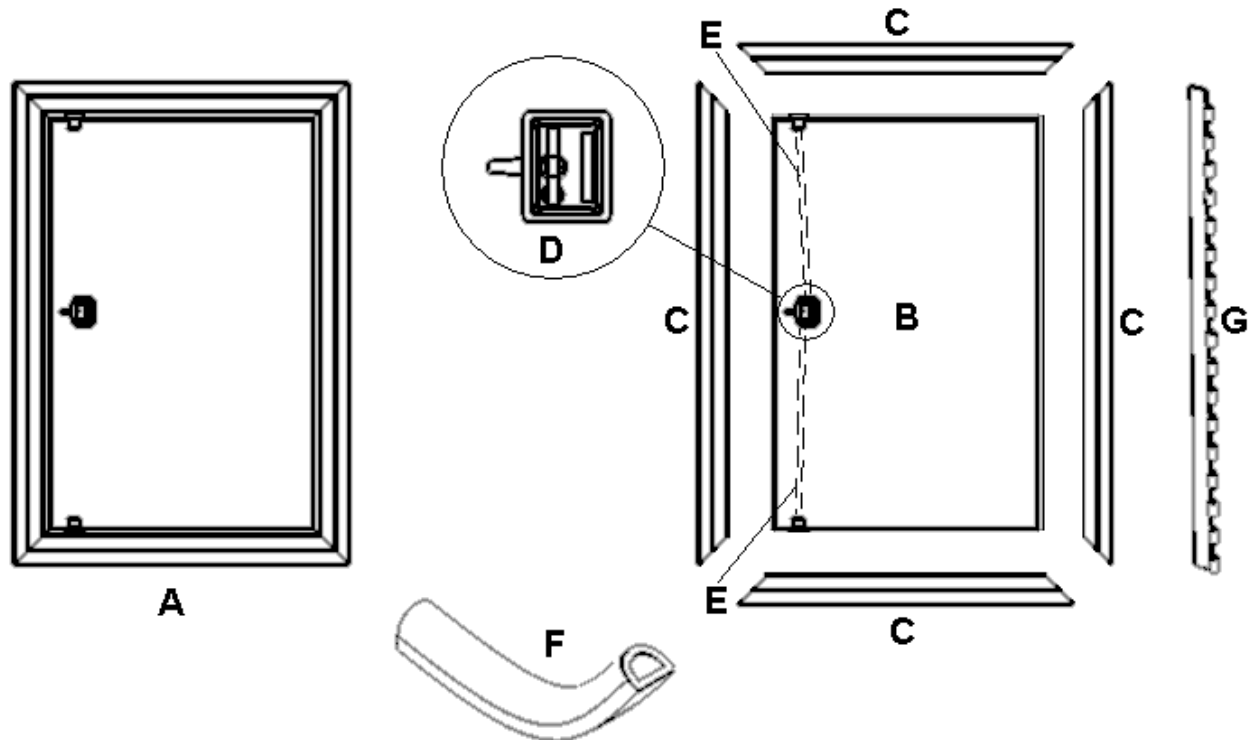


Table 12.1: Headboard Access Door

	Description	Item ID	System	Position	Notes
A	Aluminum Headboard Access Door (Includes FRAME): Installed	01800			Only available if ordered with headboard
B	Aluminum Headboard Access Door Only (NO FRAME): Uninstalled	18347			
C	Access Door Frame Assembly	18348			
D	Stainless Steel "T" Handle	11493			Rods not included
E	Rod for Access Door Handle Lock: 5/16" Dia. x 34" Length	11496			Zinc plated
F	Small "D" Rubber Seal for Access Door, Self Adhesive	12281			
G	Stainless Steel Piano Hinge	11865			

Figure 12.2: Interior Ratcheting in Headboard

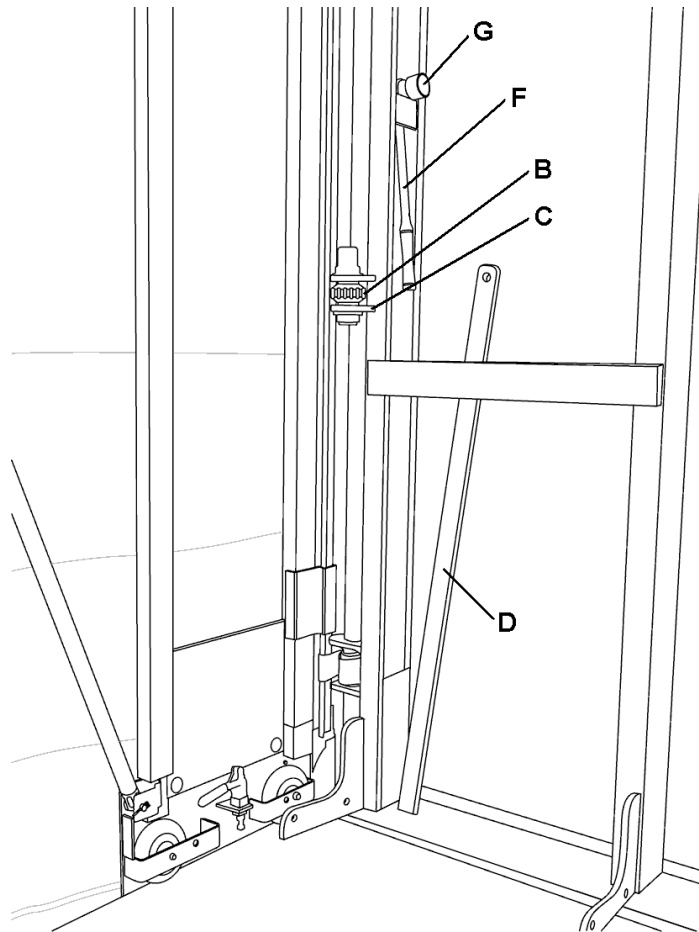


Table 12.2: Interior Ratcheting in Headboard

	Description	Item ID	System	Position	Notes
A	Interior Ratcheting in Headboard	01815			Only available if ordered with headboard
B	Interior Ratcheting: Gear	17775			
C	Interior Ratcheting: Boss Plate	18365			
D	Quick Release Bar	18836			
E	Quick Release Bar Guide Plates	18368			
F	1/2" Drive Long Handle Teardrop Ratchet	15030			
G	1-1/4" Socket with 1/2" Drive	14933			

Figure 12.3: Headboard Shelves & Boxes

<< figure for headboard shelves, chain binder bars, boxes >>

Table 12.3: Headboard Shelves & Boxes

	Description	Item ID	System	Position	Notes
A	Access Door Shelf Package	17808	102"W		Only available if ordered with headboard
		01833	108"W		
B	Chain Binder Bar: Installed	18083	102"W		
		01823	108"W		
	Chain Binder Bar: Uninstalled	18308	102"W		
		18300	108"W		
C	Headboard Floor Box: Uninstalled	18084			
D	Short Headboard Shelf Assembly: Installed	18085			Only available if ordered with headboard
	Short Headboard Shelf Assembly: Uninstalled	17718			
E	Long Headboard Shelf Assembly: Uninstalled	19493			96" Long

Figure 12.4: Headboard Wind Deflectors

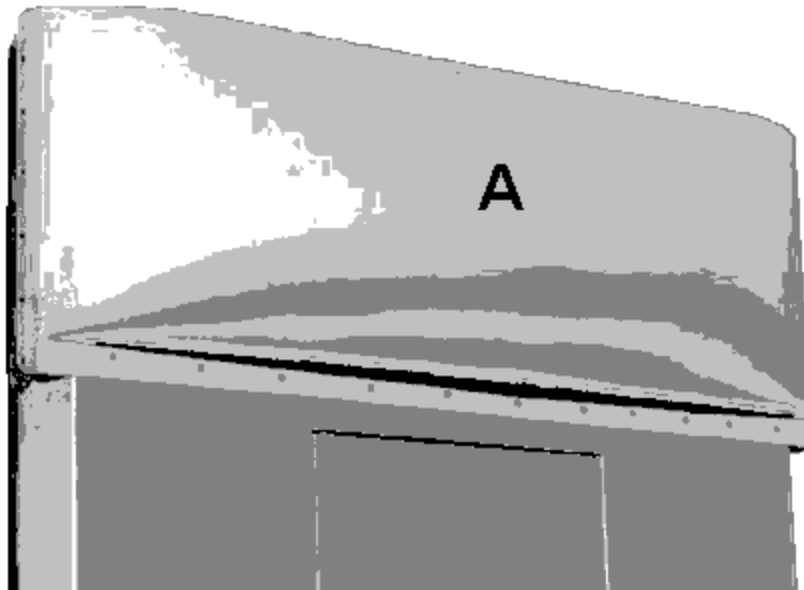


Table 12.4: Headboard Wind Deflectors

	Description	Item ID	System	Position	Notes
A	Wind Deflector (Unpainted): Installed	01826			Only available if ordered with headboard
	Prime & Paint: High Gloss Black	13995			
	Prime & Paint: Standard Tarp Colour	13996			
	Prime & Paint: Custom Colour	18501			

Figure 12.5: Van Doors

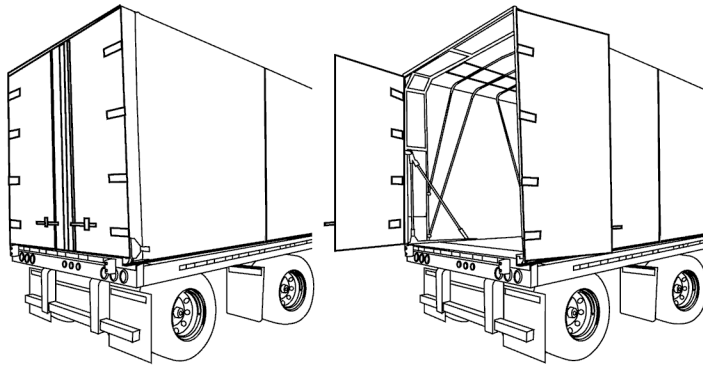


Table 12.5: Van Doors

	Description	Item ID	System	Position	Notes
	Van Doors with Single Galvanized Camlock: Installed	20317	102"W		
	Van Doors with Single Galvanized Camlock: Installed	18493	108"W		
	Van Doors with Double Galvanized Camlock: Installed	20316	102"W		
	Van Doors with Double Galvanized Camlock: Installed	18494	108"W		
	Van Doors with Single Stainless Steel Camlock: Installed	20315	102"W		
	Van Doors with Single Stainless Steel Camlock: Installed	17526	108"W		
	Van Doors with Double Stainless Steel Camlock: Installed	20314	102"W		
	Van Doors with Double Stainless Steel Camlock: Installed	18143	108"W		
	SS Mirror Finish Van Door Wrap Only for 2 Rear Doors on 8'H System: Installed	18969	8'H		
	Light Weight Van Door Panel: 3/4" x 52" W x 110" H Innovator	11570	8'H		
	Light Weight Van Door Panel: 3/4" x 54" W x 128" H Innovator	17905	10'H		
	Van Door Seal Kit	20298			

13 Lighting Accessories

Figure 13.1: Lighting Accessories

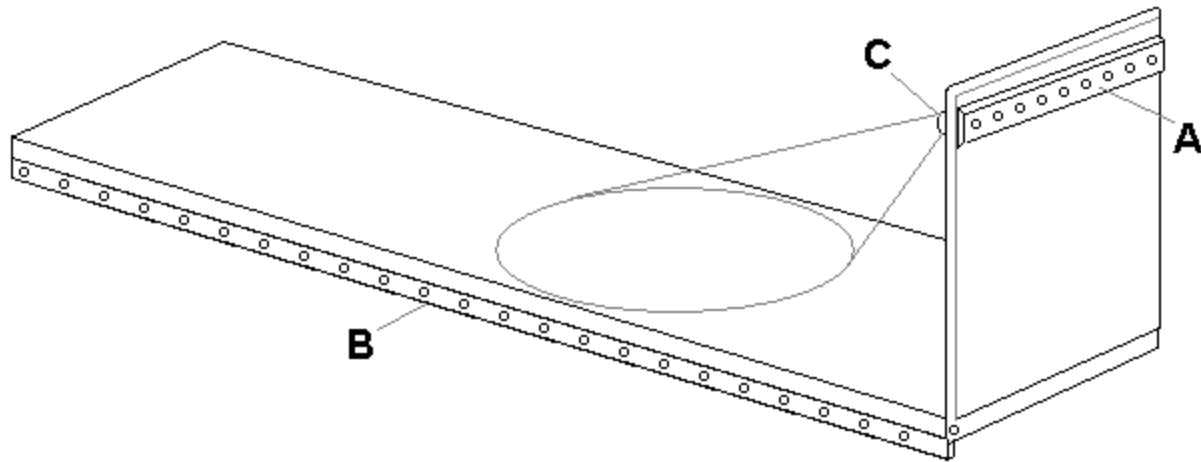


Table 13.1: Lighting Accessories

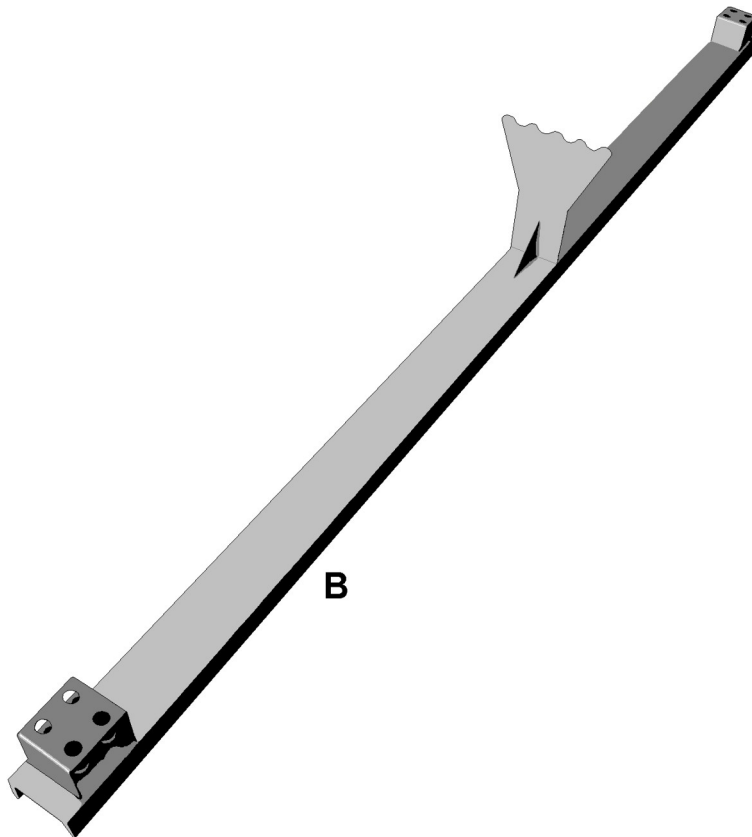
	Description	Item ID	System	Position	Notes
A	9 Light Headboard Light Bar (Aluminum Finish)	18079	102"W		2" Lights
		18080			2.5" Lights
		18077	108"W		2" Lights
		18078			2.5" Lights
	9 Light Headboard Light Bar (Stainless Steel Finish)	18093	102"W		2" Lights
		18095			2.5" Lights
		18088	108"W		2" Lights
		18090			2.5" Lights
B	Track Light Bar				
C	Interior Spot Light	18166			Includes wire and toggle switch

14 Fixtures & Tools

Table 14.1: Fixures & Tools

	Description	Item ID	System	Position	Notes
	Lifter bow Crimping Tool	17478			
B	Lifter bow Jig	18580			
	Flush Type Nozzle for 7584 F Grease Gun	14968			
	7584 F Grease Gun: Flush Type, 9 Oz. Capacity	14967			

Figure 14.1: Fixtures & Tools



15 Branch Locations and Contact Information

Website: www.quickdrawtarps.com

Head Office:

Quick Draw Tarp Systems Windsor, Ltd.
4975 8th Concession Road, R.R. #3
Maidstone (**Windsor**), **Ontario**, Canada N0R 1K0

Telephone: 519 737 6160
Toll Free *: 800 266 8277
FAX: 519 737 6205

Branches:

Lancaster, Ontario Branch (English / French):

5510 Highway 34, R.R. #1
Lancaster, Ontario, Canada K0C 1N0

Telephone: 613 347 1700
Toll Free *: 866 261 7005

Dearborn, Michigan Branch (English / Spanish):

10200 Ford Road
Dearborn, Michigan, USA 48126

Telephone: 313 945 0766
Toll Free *: 800 945 8277

Franklin, Kentucky Branch:

141 Quick Draw Drive
Franklin, Kentucky, USA 42134

Telephone: 270 586 9333
Toll Free *: 866 302 0005

Dayton, Ohio Branch:

3320 Stop Eight Road
Dayton, Ohio, USA 45414

Telephone: 937 280 4056
Toll Free *: 855 406 9059

Inkster, Michigan Branch (English / Spanish):

26125 Trowbridge Street
Inkster, Michigan, USA 48141

Telephone: 313 561 0554

Norfolk, Nebraska Branch:

2009 Logan Street
Norfolk, Nebraska, USA 68701

Telephone: 402 371 4444

Merrillville (near Gary), Indiana Branch:

5260 Cleveland Street, Suite A
Merrillville, Indiana, USA 46410-1136

Telephone: 219 238 6077

* Toll free available in North America only.